

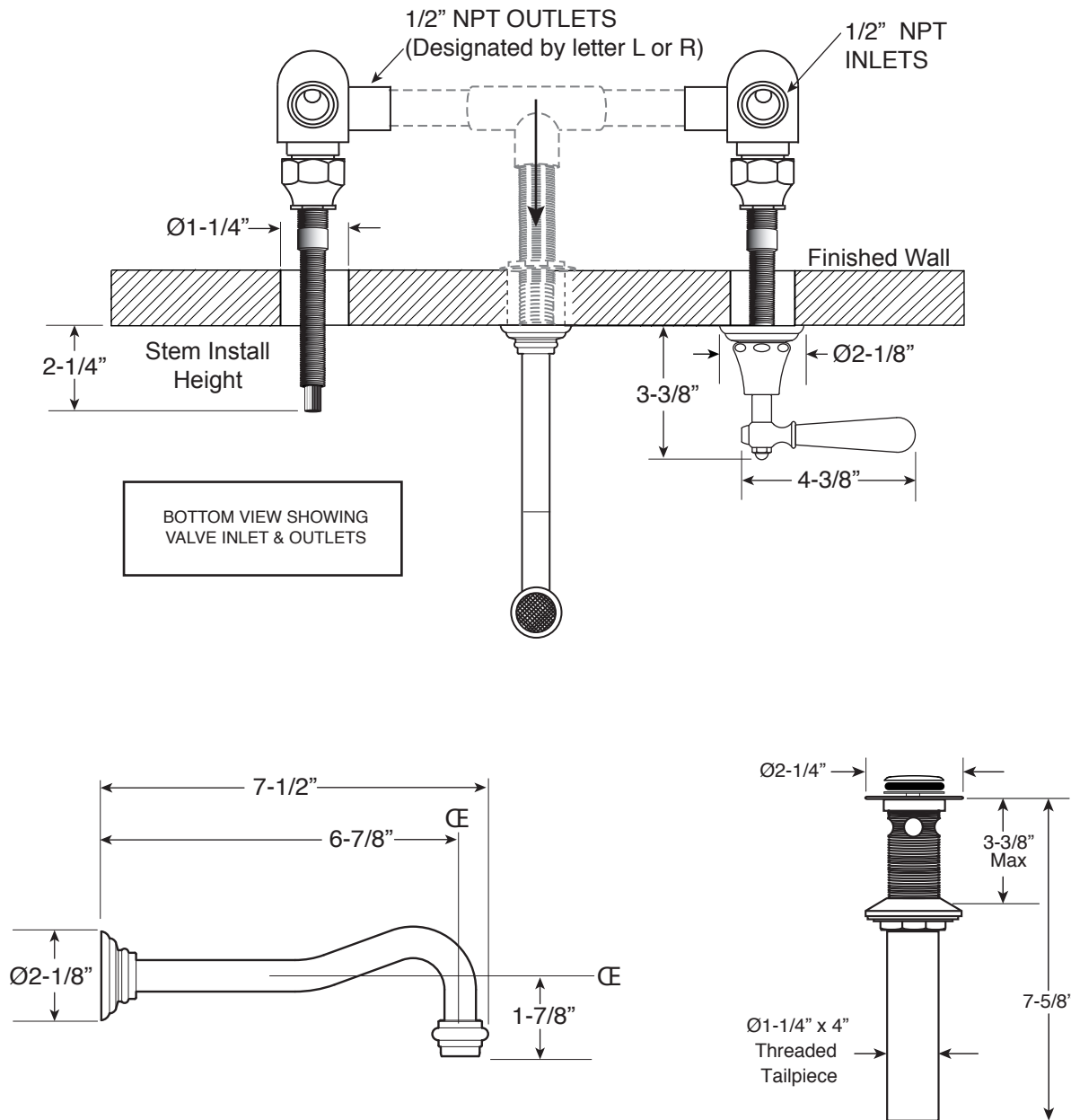
**FEATURES:**

- All brass construction
- Independent corner valves
- Includes Soft Touch drain assembly: P/N 18.11.052
- 1/4-turn ceramic disc valve cartridges.
  - Replacement P/N: 18.30.035 Cold 18.30.036 Hot
- Available in all finishes. Warranty varies according to finish selection.

# SPECIFICATIONS

## 350 Series Short Wall/ Vessel Lavatory Set with Loire Handles

**1.355607S**  
(1.355607ST - Trim Only)



Note: Measurements are subject to change. No responsibility is assumed for use of superseded or voided pages.