

Features:

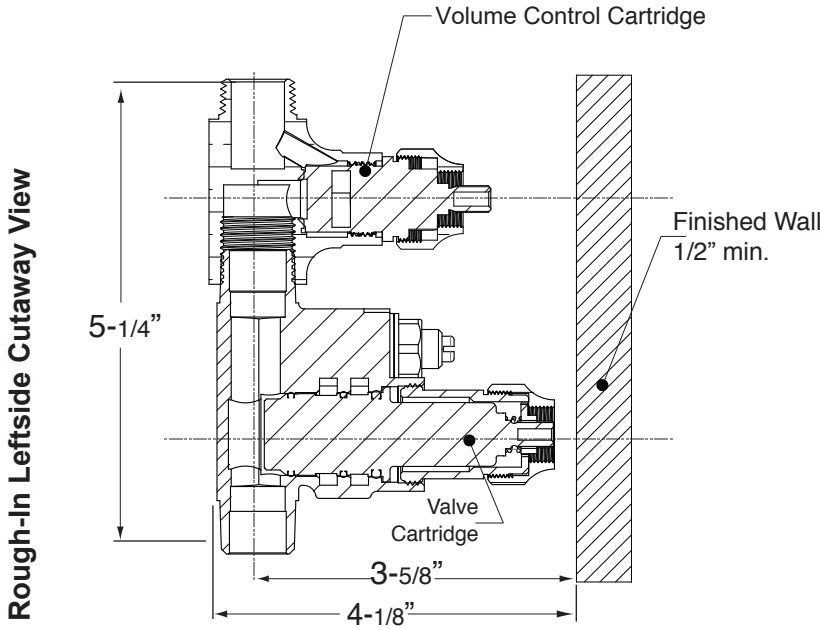
- Forged Brass Construction
- Adjustable Hot Limit Safety Stop with Push-In Override
- Flow capacity / Shut-Off: 7.0 gpm @ 45 psi
- Thermostatic valve cartridge: 18.30.294
- Volume control cartridge: 18.30.036

TechData

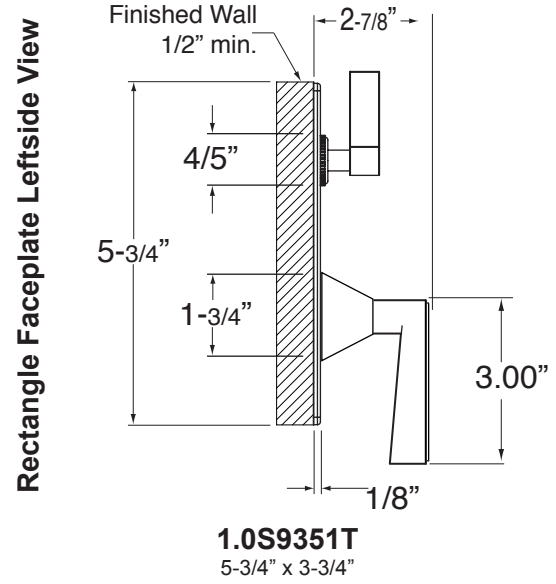
SPECIFICATIONS

Moderne

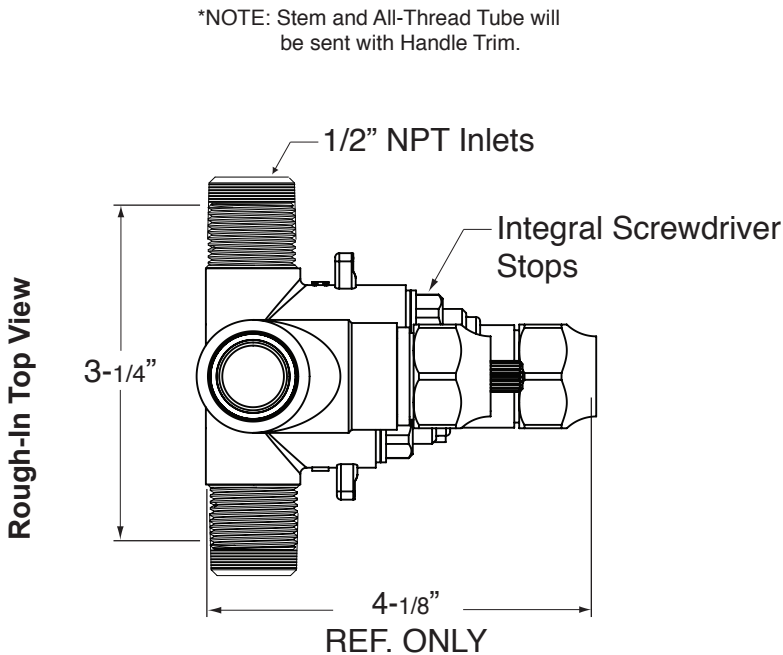
E-Mini Therm Valve Remote Thermostatic Valve with Shut-Off



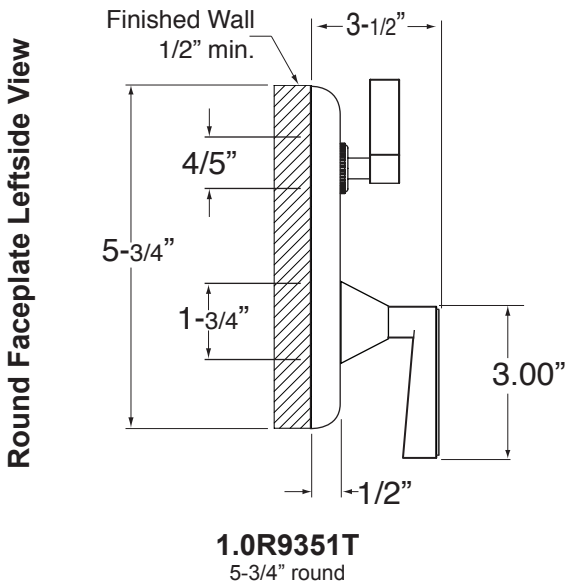
*NOTE: Stem and All-Thread Tube will be sent with Handle Trim.



NOTE: MUST purchase Showerhead, Arm, Flange, and other options separately.



*NOTE: Stem and All-Thread Tube will be sent with Handle Trim.



NOTE: Measurements are subject to change or cancellation. No responsibility is assumed for use of superseded or voided pages.

Features:

- Forged Brass Construction
- Adjustable Hot Limit Safety Stop with Push-In Override
- Flow capacity / Diverter - 4.5 GPM / 45 psi
- E-mini thermostatic cartridge - 18.30.294
- Diverter cartridge - 18.30.903

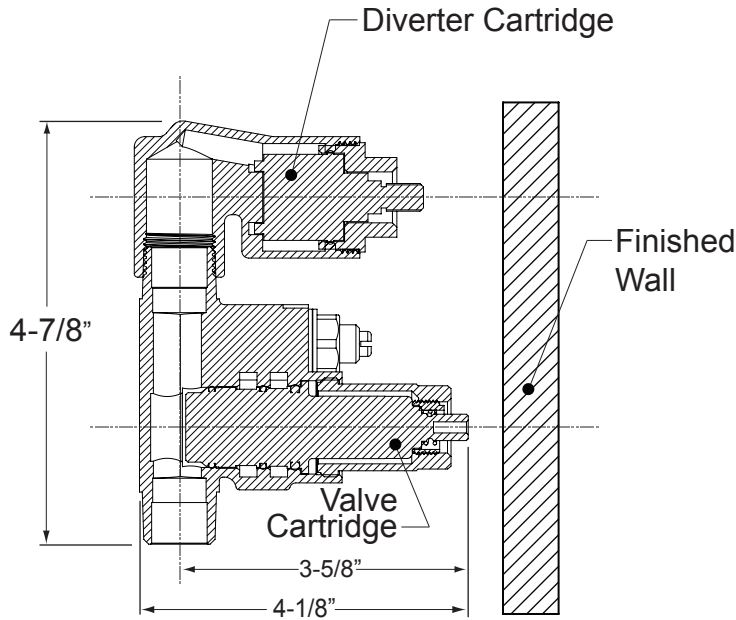
TechData

SPECIFICATIONS

Moderne

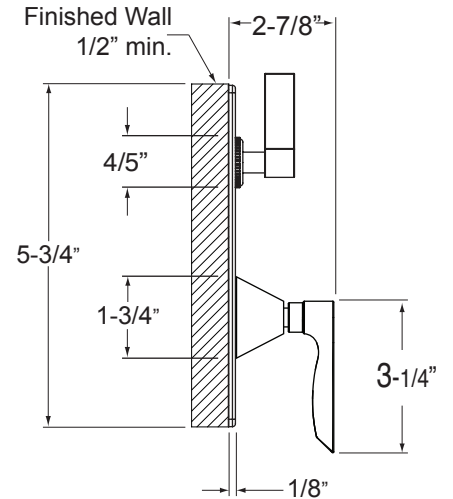
E-Mini Therm Valve
Remote Thermostatic Valve
with Two-Way Diverter

Rough-In Leftside Cutaway View



*NOTE: Stem and All-Thread Tube will be sent with Handle Trim.

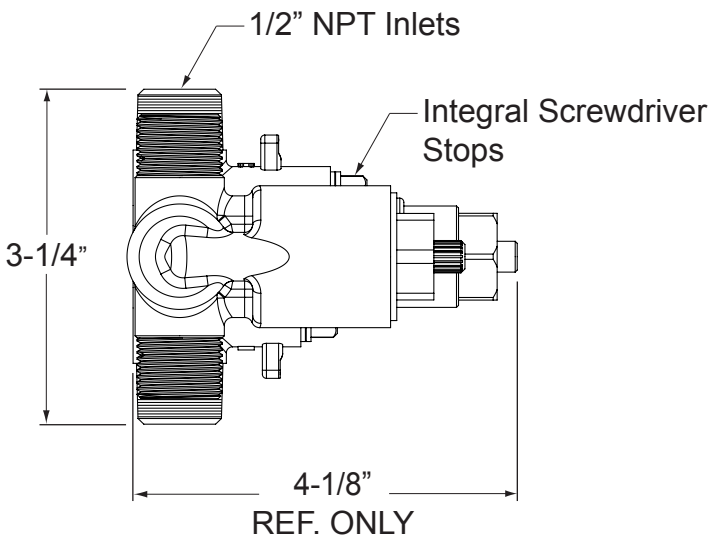
Rectangle Faceplate Leftside View



1.0S8351T
5-3/4" x 3-3/4"

NOTE: MUST purchase Showerhead, Arm, Flange, and other options separately.

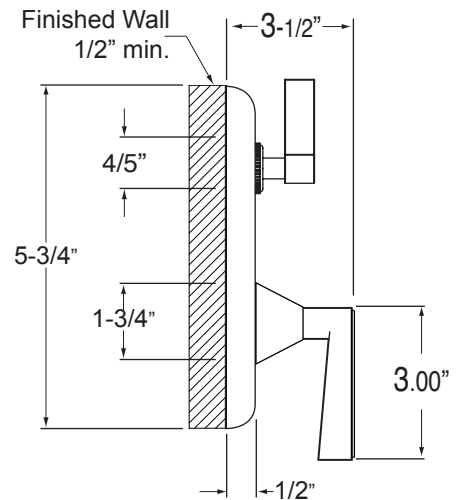
Rough-In Top View



*NOTE: Stem and All-Thread Tube will be sent with Handle Trim.

REF. ONLY

Round Faceplate Leftside View



1.0R9351T
5-3/4" round

NOTE: Measurements are subject to change or cancellation. No responsibility is assumed for use of superseded or voided pages.