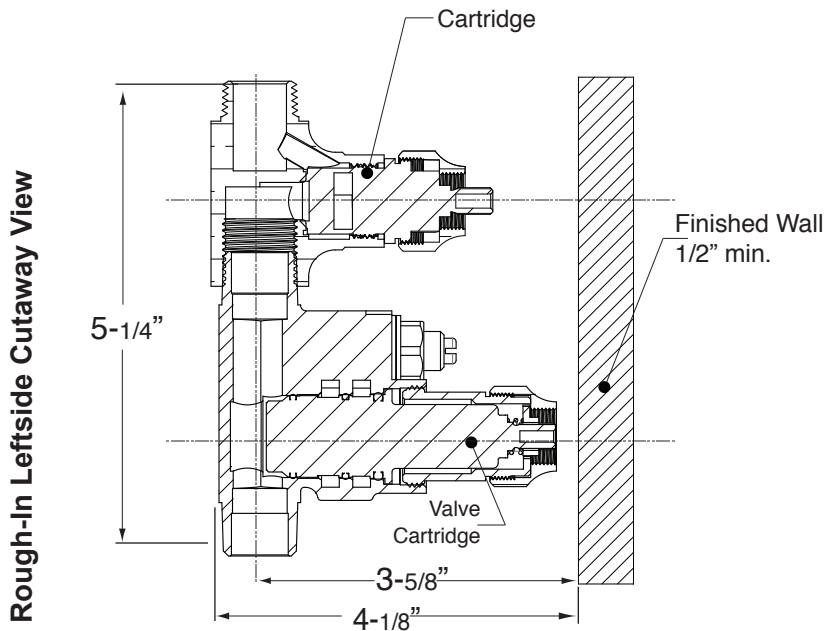


Features:

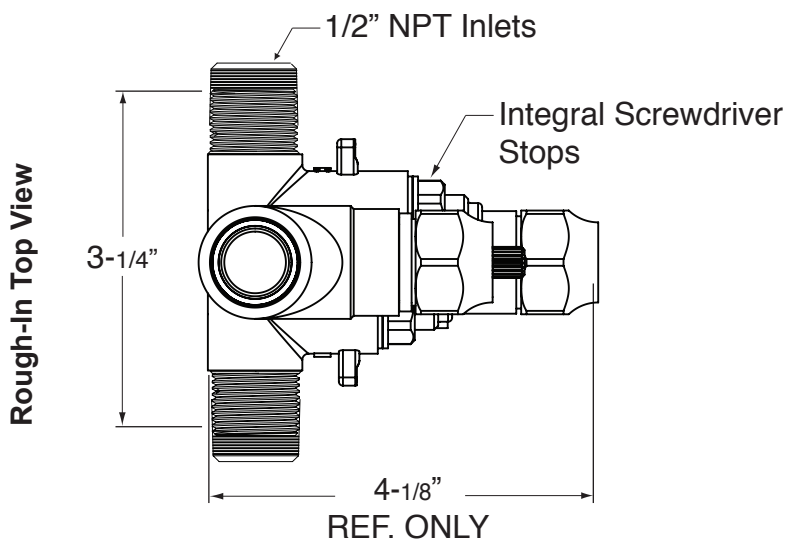
- Forged Brass Construction
- Adjustable Hot Limit Safety Stop with Push-In Override
- Thermostatic valve cartridge: 18.30.294
- Cartridge: 18.30.903

NOTE: Leave cap on the out-port to modify to 18.30.291



*NOTE: Stem and All-Thread Tube will be sent with Handle Trim.

*NOTE: Stem and All-Thread Tube will be sent with Handle Trim.

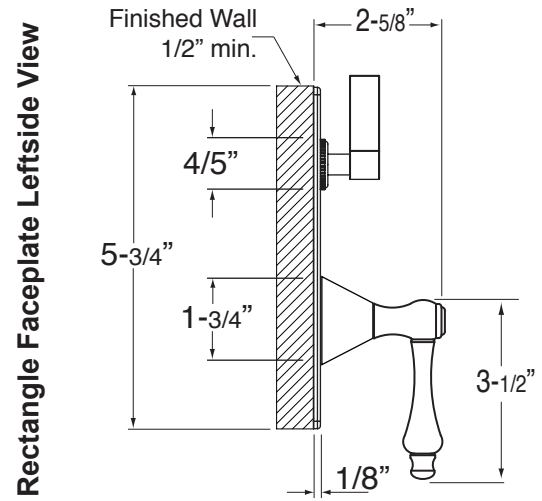


TechData

SPECIFICATIONS

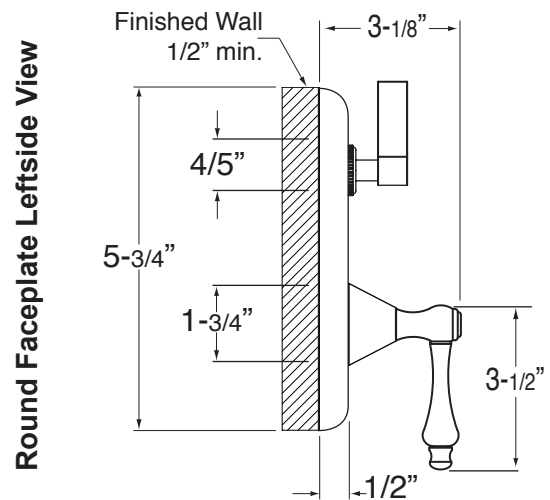
Montreal

E-Mini Therm Valve
Remote Thermostatic Valve
w/Volume Control
18.30.291



1.0S1751T
5-3/4" x 3-3/4"

NOTE: MUST purchase Showerhead, Arm, Flange, and other options separately.



1.0R1751T
5-3/4" round

NOTE: Measurements are subject to change or cancellation. No responsibility is assumed for use of superseded or voided pages.

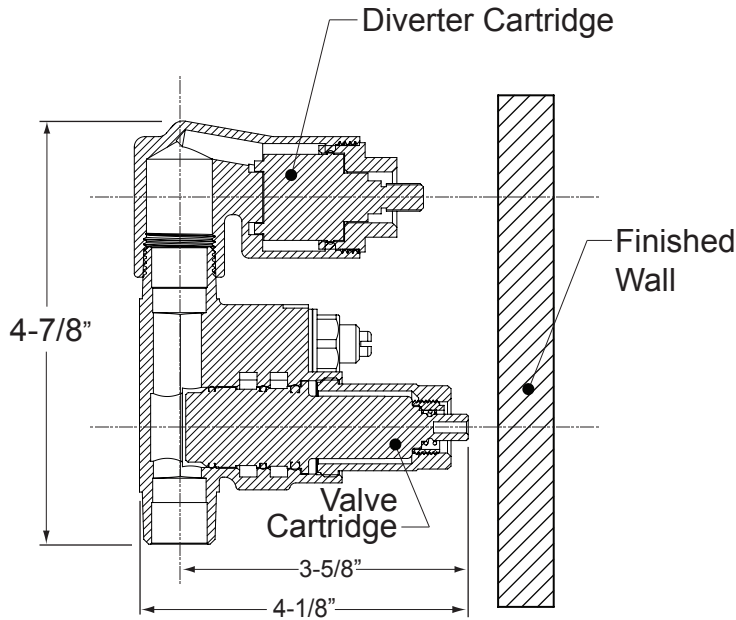
Monte Carlo

E-Mini Therm Valve
Remote Thermostatic Valve
with Two-Way Diverter
18.30.292

Features:

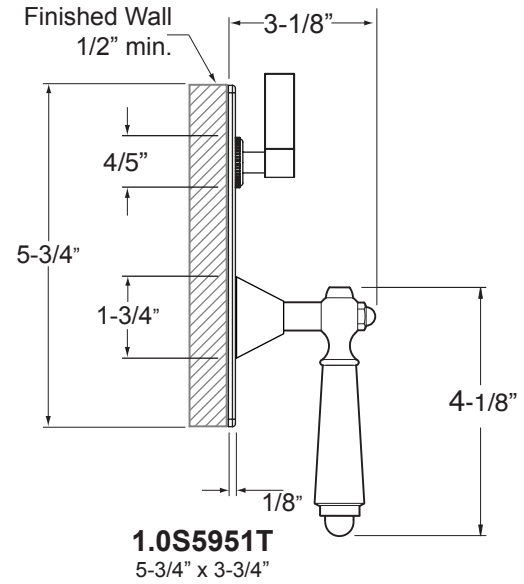
- Forged Brass Construction
- Adjustable Hot Limit Safety Stop with Push-In Override
- Flow capacity / Diverter - 4.5 GPM / 45 psi
- E-mini thermo cartridge 18.30.294
- Diverter cartridge 18.30.903

Rough-In Leftside Cutaway View



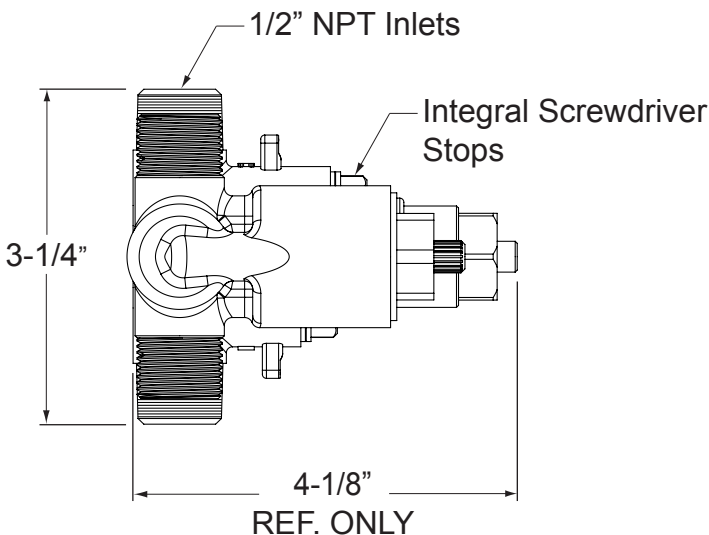
*NOTE: Stem and All-Thread Tube will be sent with Handle Trim.

Rectangle Faceplate Leftside View



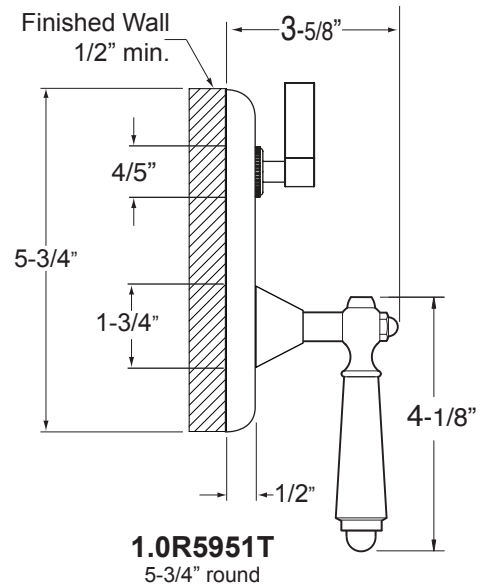
NOTE: MUST purchase Showerhead, Arm, Flange, and other options separately.

Rough-In Top View



*NOTE: Stem and All-Thread Tube will be sent with Handle Trim.

Round Faceplate Leftside View



NOTE: Measurements are subject to change or cancellation. No responsibility is assumed for use of superseded or voided pages.