

Features:

- Forged Brass Construction
- Adjustable Hot Limit Safety Stop with Push-In Override
- Thermostatic valve cartridge: 18.30.294
- Cartridge: 18.30.903

• NOTE: Leave cap on the output to modify to 18.30.291

TechData

SPECIFICATIONS

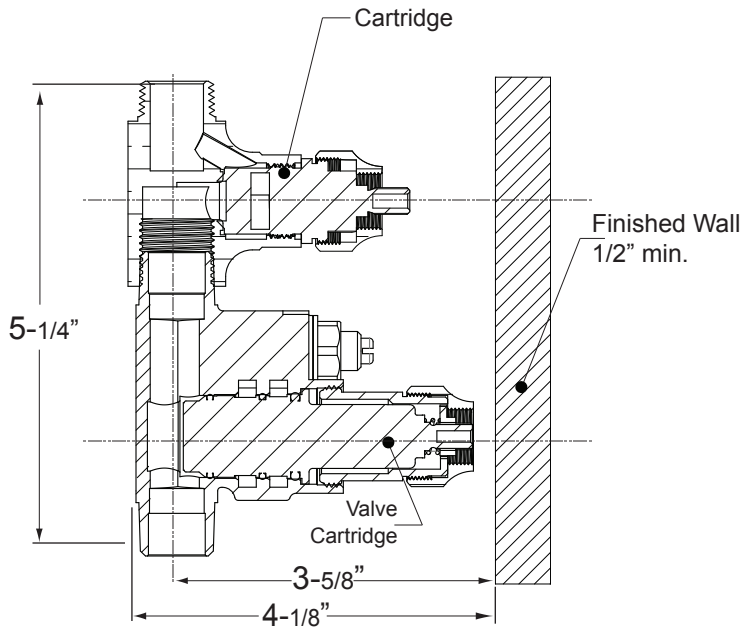
Nuance

E-Mini Therm Valve
Remote Thermostatic Valve
w/Volume Control
18.30.291

1.0S3851T
5-3/4" x 3-3/4"

NOTE: MUST purchase Showerhead, Arm, Flange, and other options separately.

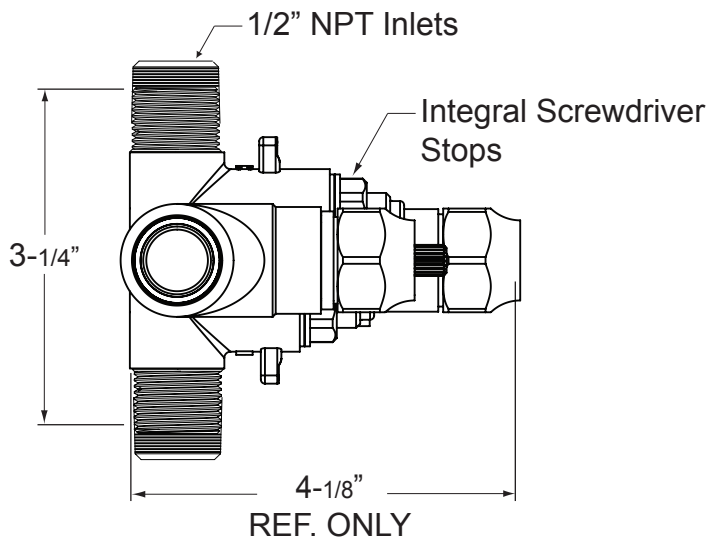
Rough-In Leftside Cutaway View



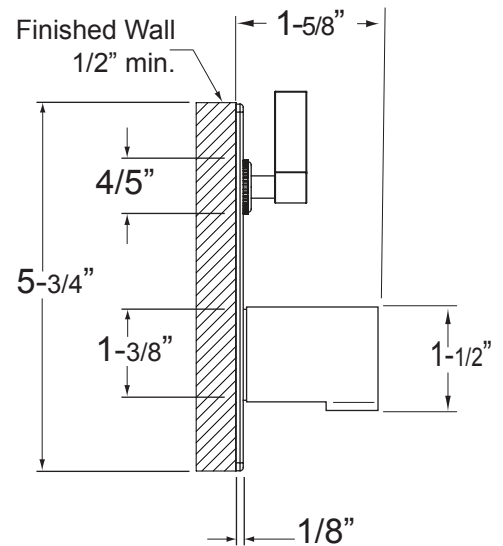
*NOTE: Stem and All-Thread Tube will be sent with Handle Trim.

*NOTE: Stem and All-Thread Tube will be sent with Handle Trim.

Rough-In Top View



Rectangle Faceplate Leftside View



NOTE: Measurements are subject to change or cancellation. No responsibility is assumed for use of superseded or voided pages.

Features:

- Forged Brass Construction
- Adjustable Hot Limit Safety Stop with Push-In Override
- Flow capacity / Shut-Off: 7.0 gpm @ 45 psi
- Thermostatic valve cartridge: 18.30.294
- Diverter cartridge: 18.30.903

TechData

SPECIFICATIONS

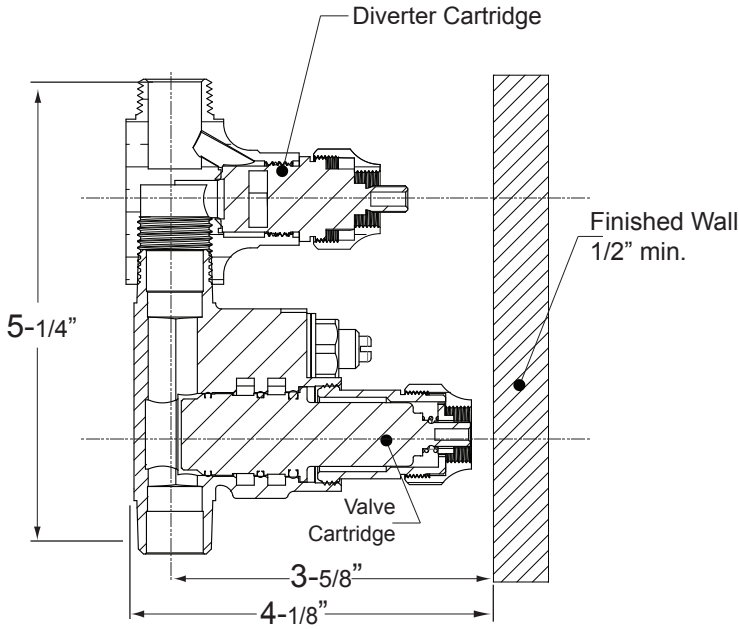
Nuance

E-Mini Therm Valve
Remote Thermostatic Valve
with Two Way Diverter
18.30.292

1.0S3851T
5-3/4" x 3-3/4"

NOTE: MUST purchase Showerhead, Arm, Flange, and other options separately.

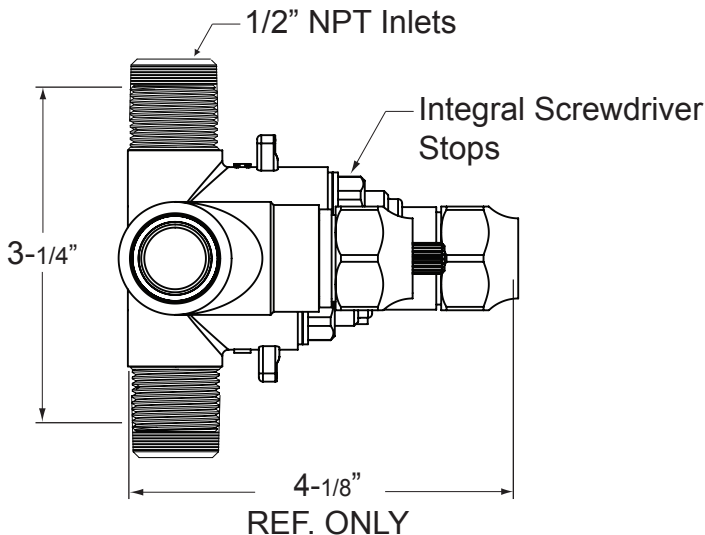
Rough-In Leftside Cutaway View



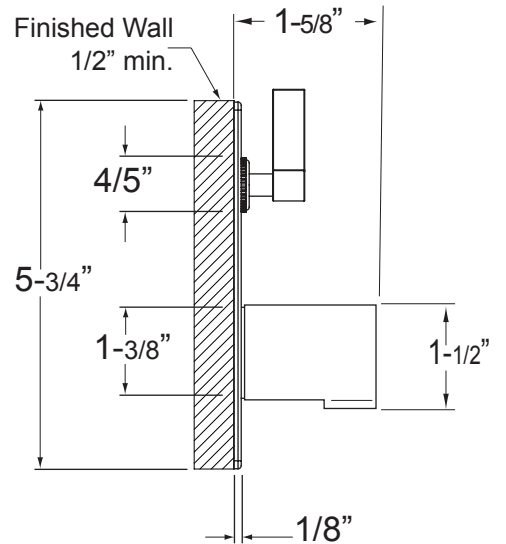
*NOTE: Stem and All-Thread Tube will be sent with Handle Trim.

*NOTE: Stem and All-Thread Tube will be sent with Handle Trim.

Rough-In Top View



Rectangle Faceplate Leftside View



NOTE: Measurements are subject to change or cancellation. No responsibility is assumed for use of superseded or voided pages.