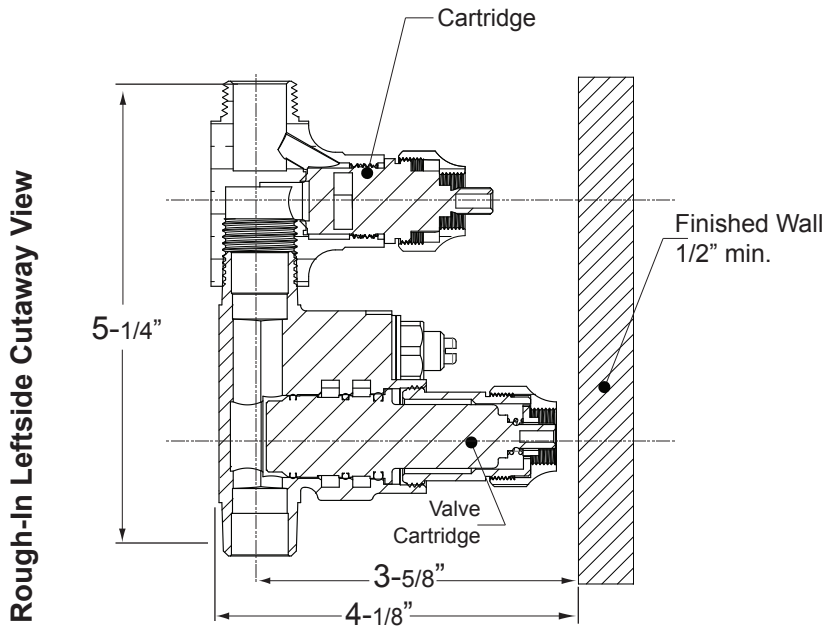


Features:

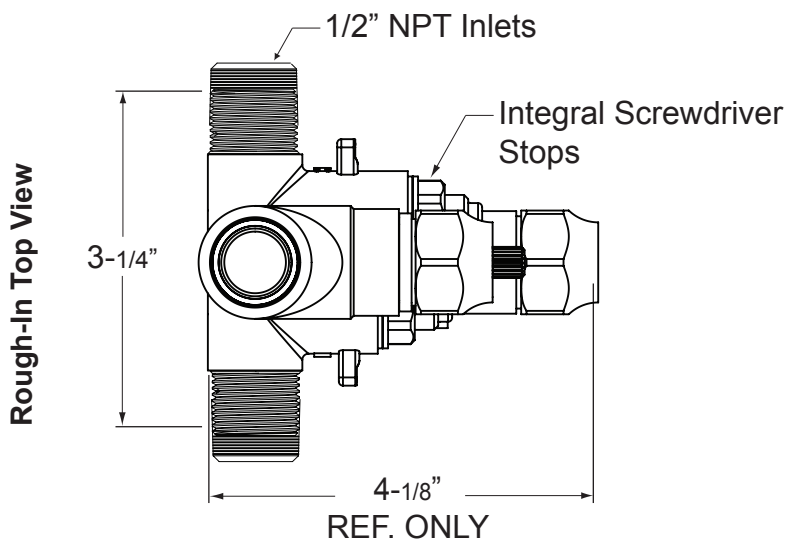
- Forged Brass Construction
- Adjustable Hot Limit Safety Stop with Push-In Override
- Thermostatic valve cartridge: 18.30.294
- Cartridge: 18.30.903

• **NOTE:** Leave cap on the out port to modify to 18.30.291



\*NOTE: Stem and All-Thread Tube will be sent with Handle Trim.

\*NOTE: Stem and All-Thread Tube will be sent with Handle Trim.

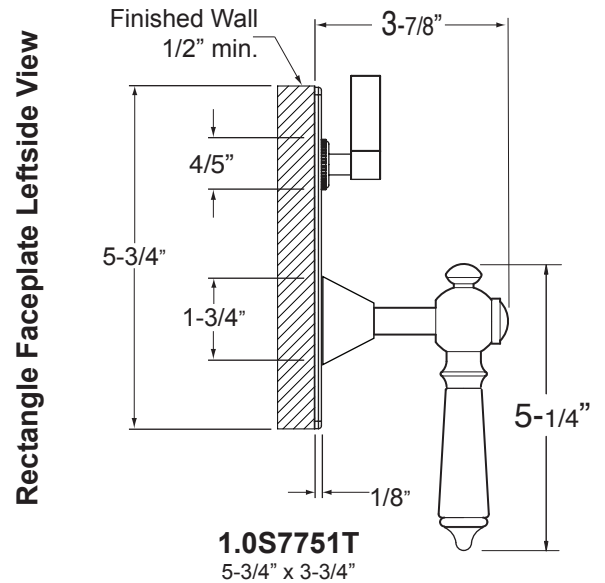


NOTE: Measurements are subject to change or cancellation. No responsibility is assumed for use of superseded or voided pages.

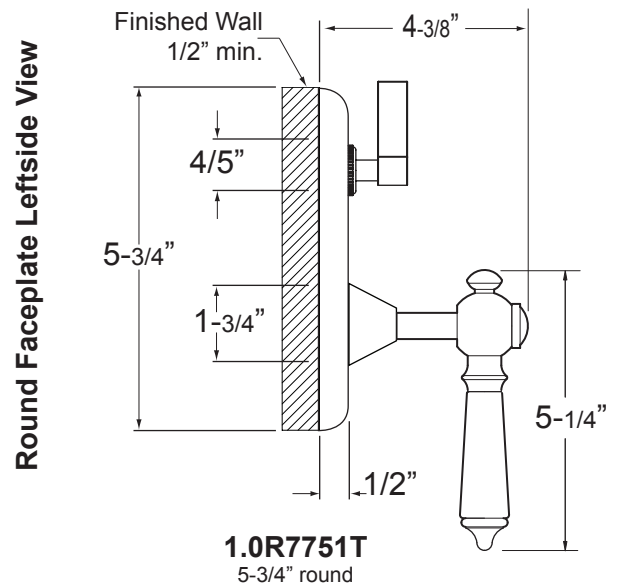
**TechData**  
**SPECIFICATIONS**

**Ascot**

E-Mini Therm Valve  
Remote Thermostatic Valve  
w/Volume Control  
18.30.291



**NOTE:** MUST purchase Showerhead, Arm, Flange, and other options separately.



Features:

- Forged Brass Construction
- Adjustable Hot Limit Safety Stop with Push-In Override
- Flow capacity / Diverter - 4.5 GPM / 45 psi
- E-mini thermostatic cartridge 18.30.294
- Diverter cartridge 18.30.903

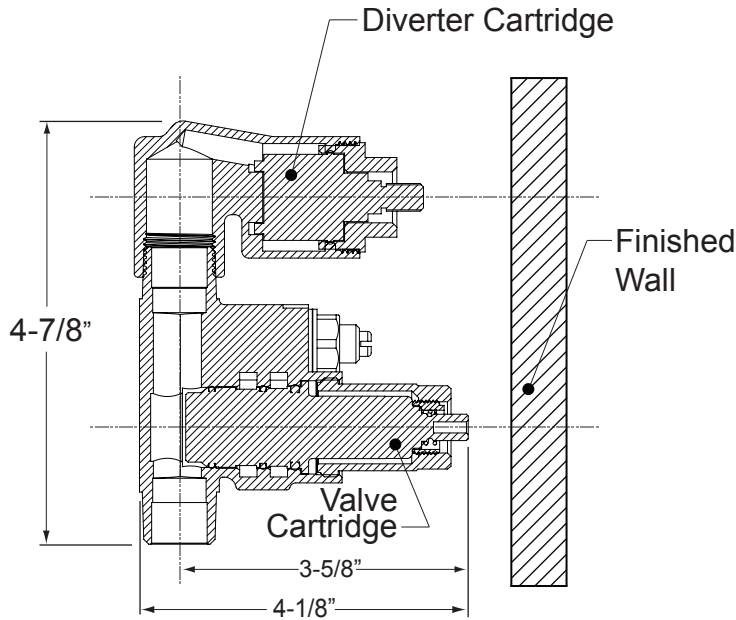
# TechData

## SPECIFICATIONS

# Ascot

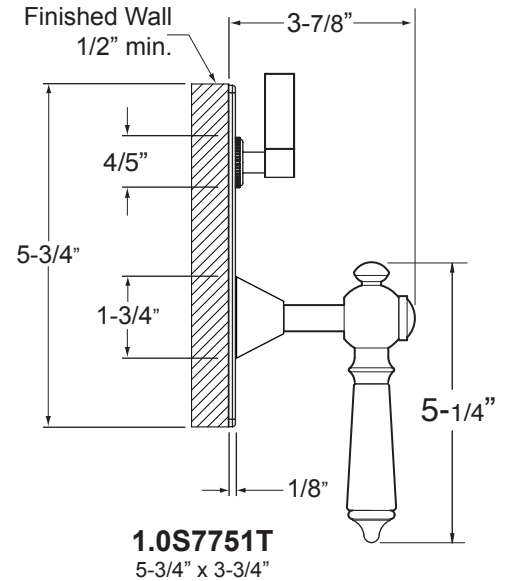
E-Mini Therm Valve  
Remote Thermostatic Valve  
with Two-Way Diverter  
18.30.292

Rough-In Leftside Cutaway View



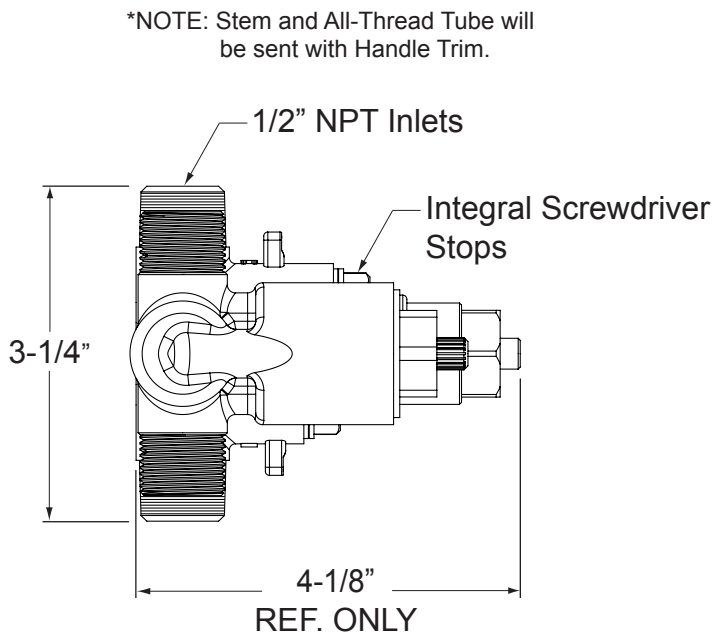
\*NOTE: Stem and All-Thread Tube will be sent with Handle Trim.

Rectangle Faceplate Leftside View



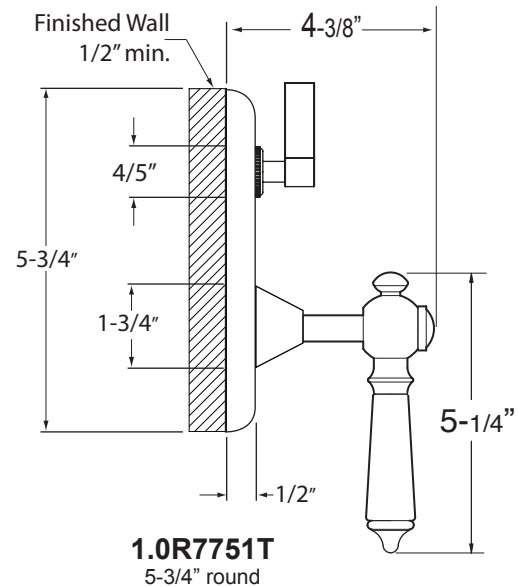
NOTE: MUST purchase Showerhead, Arm, Flange, and other options separately.

Rough-In Top View



\*NOTE: Stem and All-Thread Tube will be sent with Handle Trim.

Round Faceplate Leftside View



NOTE: Measurements are subject to change or cancellation. No responsibility is assumed for use of superseded or voided pages.