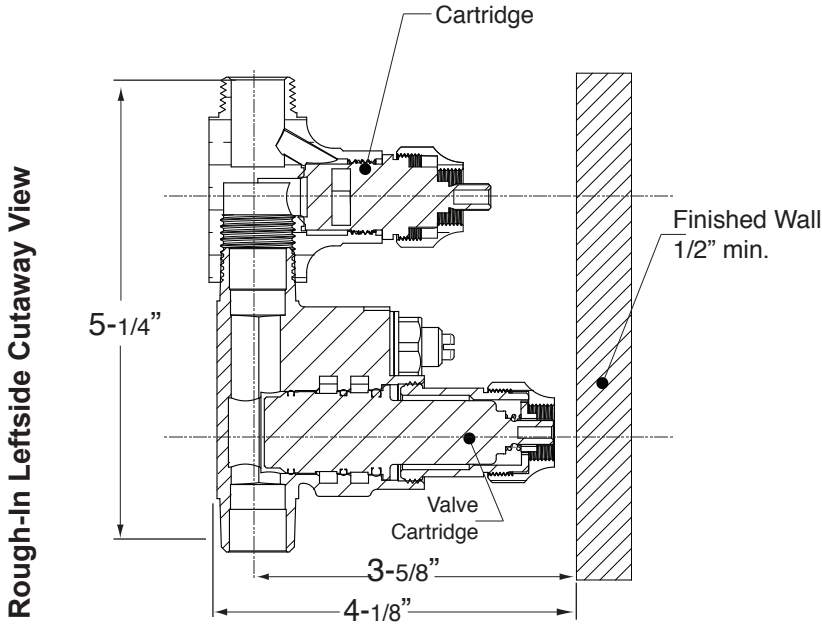


Features:

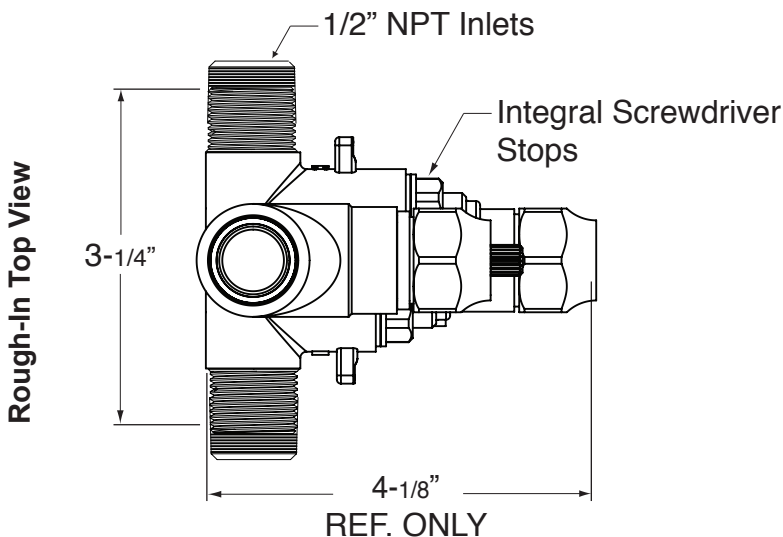
- Forged Brass Construction
- Adjustable Hot Limit Safety Stop with Push-In Override
- Thermostatic valve cartridge: 18.30.294
- Cartridge 18.30.903

**NOTE:** Leave cap on the out-port to modify to 18.30.291



\*NOTE: Stem and All-Thread Tube will be sent with Handle Trim.

\*NOTE: Stem and All-Thread Tube will be sent with Handle Trim.

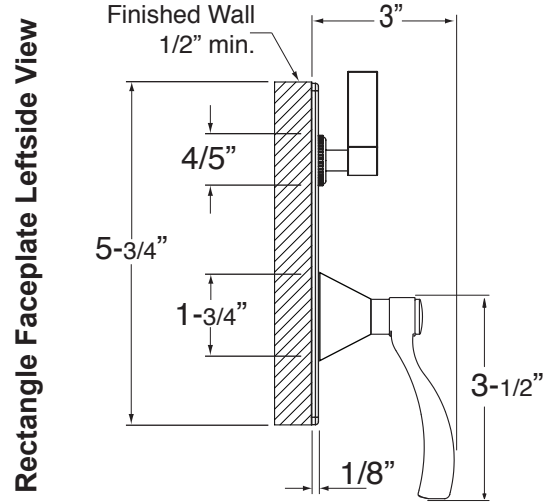


NOTE: Measurements are subject to change or cancellation. No responsibility is assumed for use of superseded or voided pages.

**TechData**  
**SPECIFICATIONS**

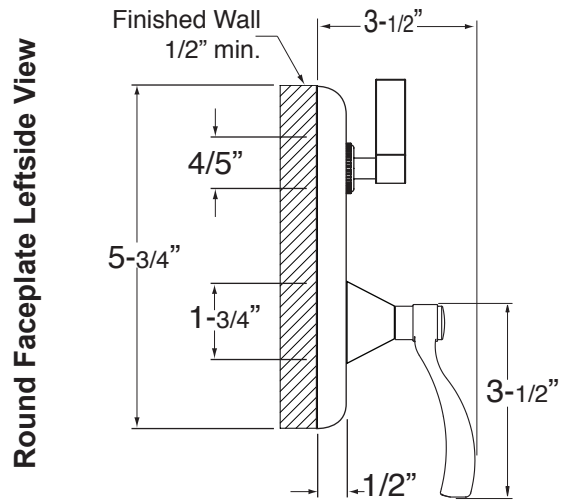
**Maya**

E-Mini Therm Valve  
Remote Thermostatic Valve  
w/Volume Control  
18.30.291



**1.0S8051T**  
5-3/4" x 3-3/4"

**NOTE:** MUST purchase Showerhead, Arm, Flange, and other options separately.



**1.0R8051T**  
5-3/4" round

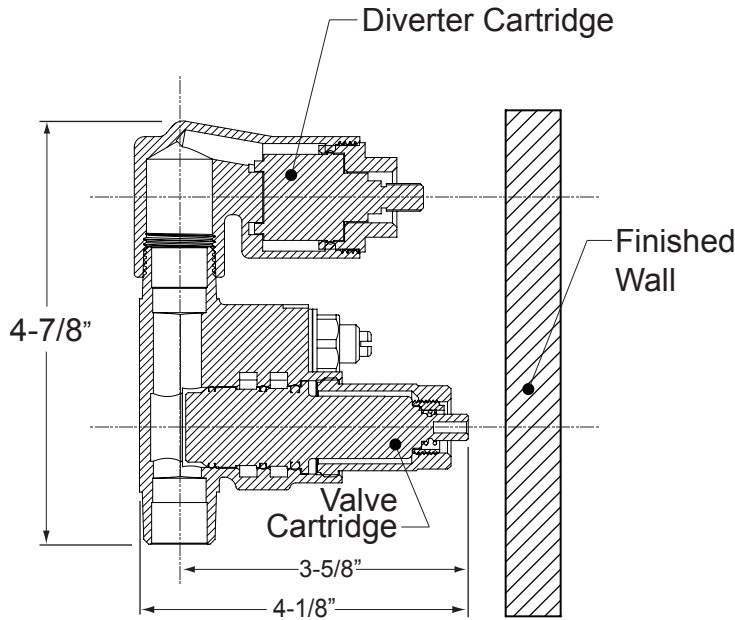
Features:

- Forged Brass Construction
- Adjustable Hot Limit Safety Stop with Push-In Override
- Flow capacity / Diverter - 4.5 GPM / 45 psi
- E-mini thermostatic cartridge 18.30.294
- Diverter cartridge 18.30.903

**Maya**

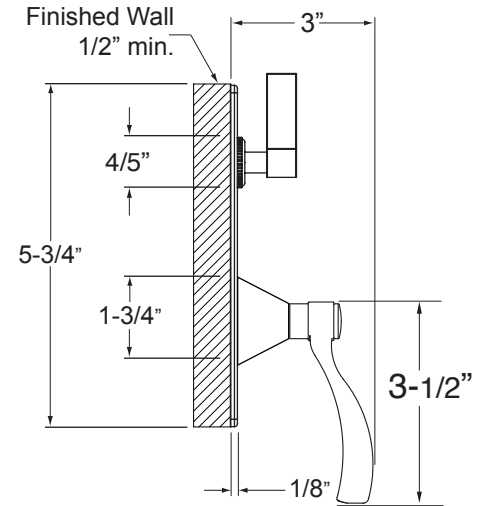
E-Mini Therm Valve  
Remote Thermostatic Valve  
with Two-Way Diverter  
18.30.292

**Rough-In Leftside Cutaway View**



\*NOTE: Stem and All-Thread Tube will be sent with Handle Trim.

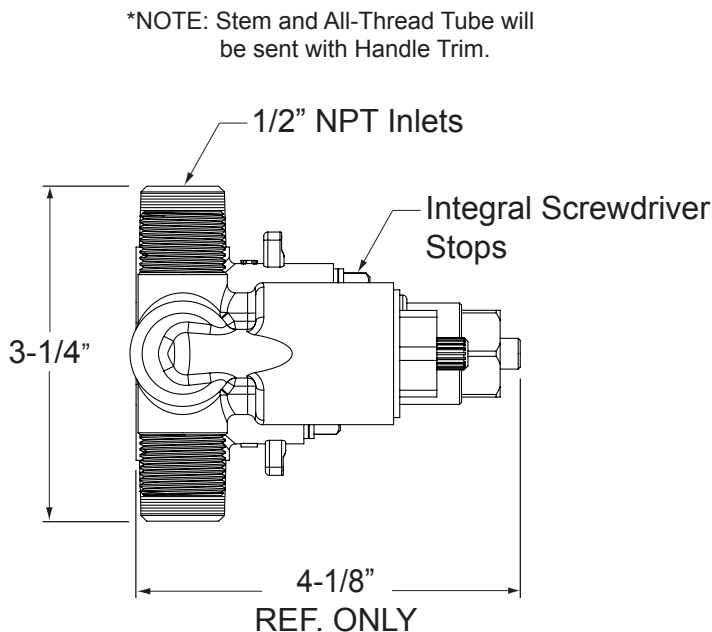
**Rectangle Faceplate Leftside View**



**1.0S7551T**  
5-3/4" x 3-3/4"

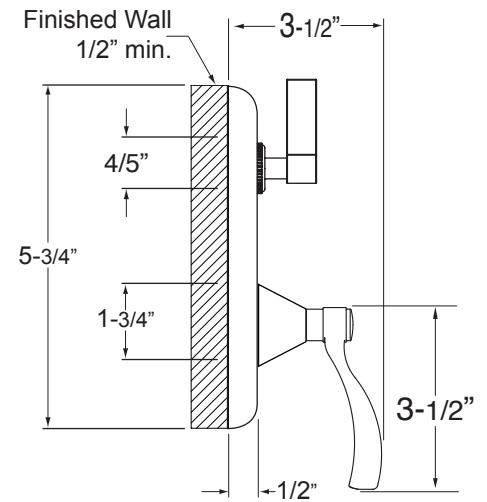
NOTE: MUST purchase Showerhead, Arm, Flange, and other options separately.

**Rough-In Top View**



\*NOTE: Stem and All-Thread Tube will be sent with Handle Trim.

**Round Faceplate Leftside View**



**1.0R7551T**  
5-3/4" round

NOTE: Measurements are subject to change or cancellation. No responsibility is assumed for use of superseded or voided pages.