

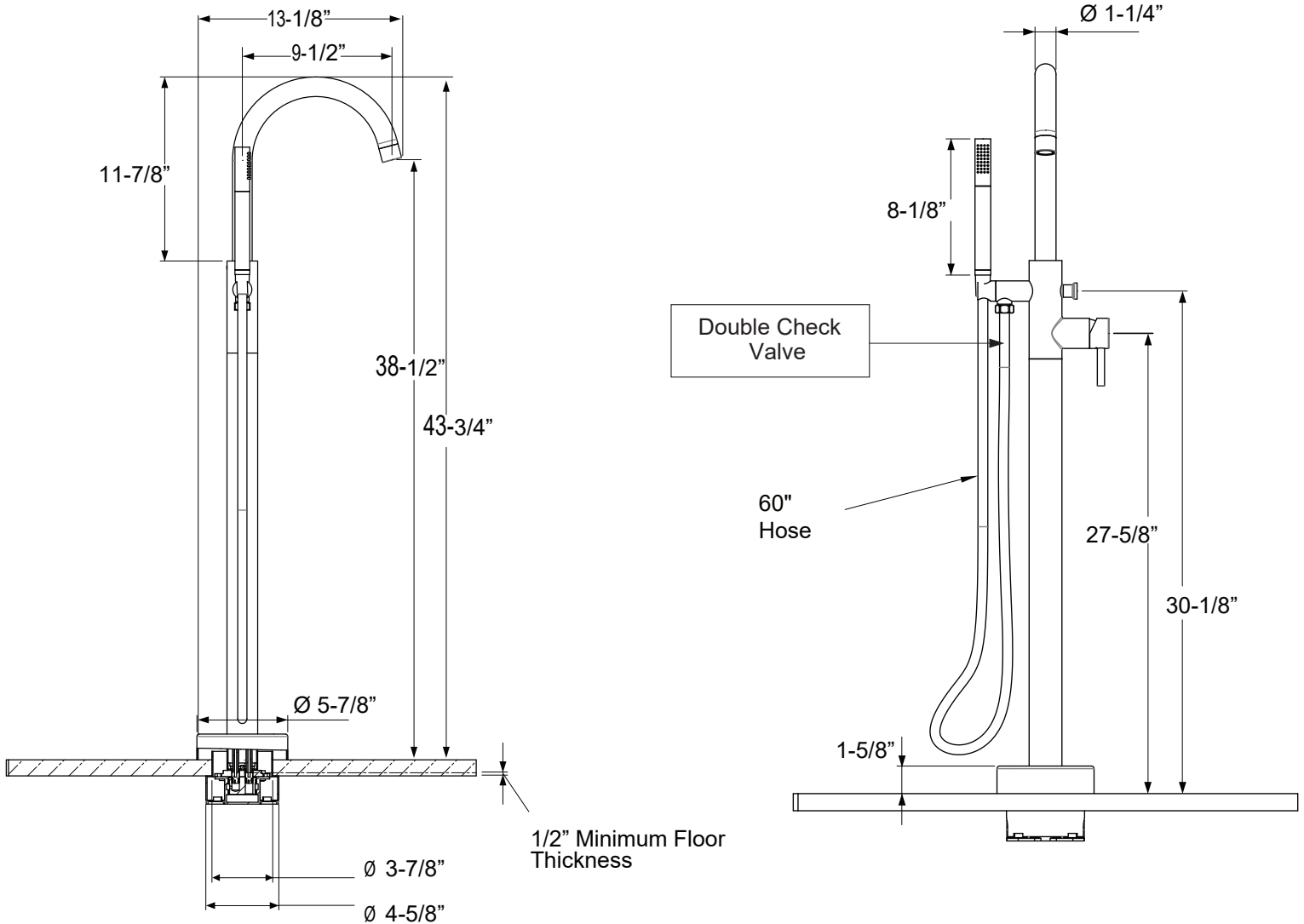
FEATURES:

- All brass construction
- Available in all finishes
- Warranty varies according to finish selection
- Rough kit P/N: 18.30.409
- Flow rate: 6.5 gpm at 60 psi
- Replacement cartridge P/N: 18.15.101

110 Contemporary Single-Leg Floormount Tub Filler with Handshower

1.1100530

(1.1100530T - Trim Only)



Note: Measurements are subject to change or cancellation. No responsibility is assumed for use of superseded or voided pages.