

FEATURES:

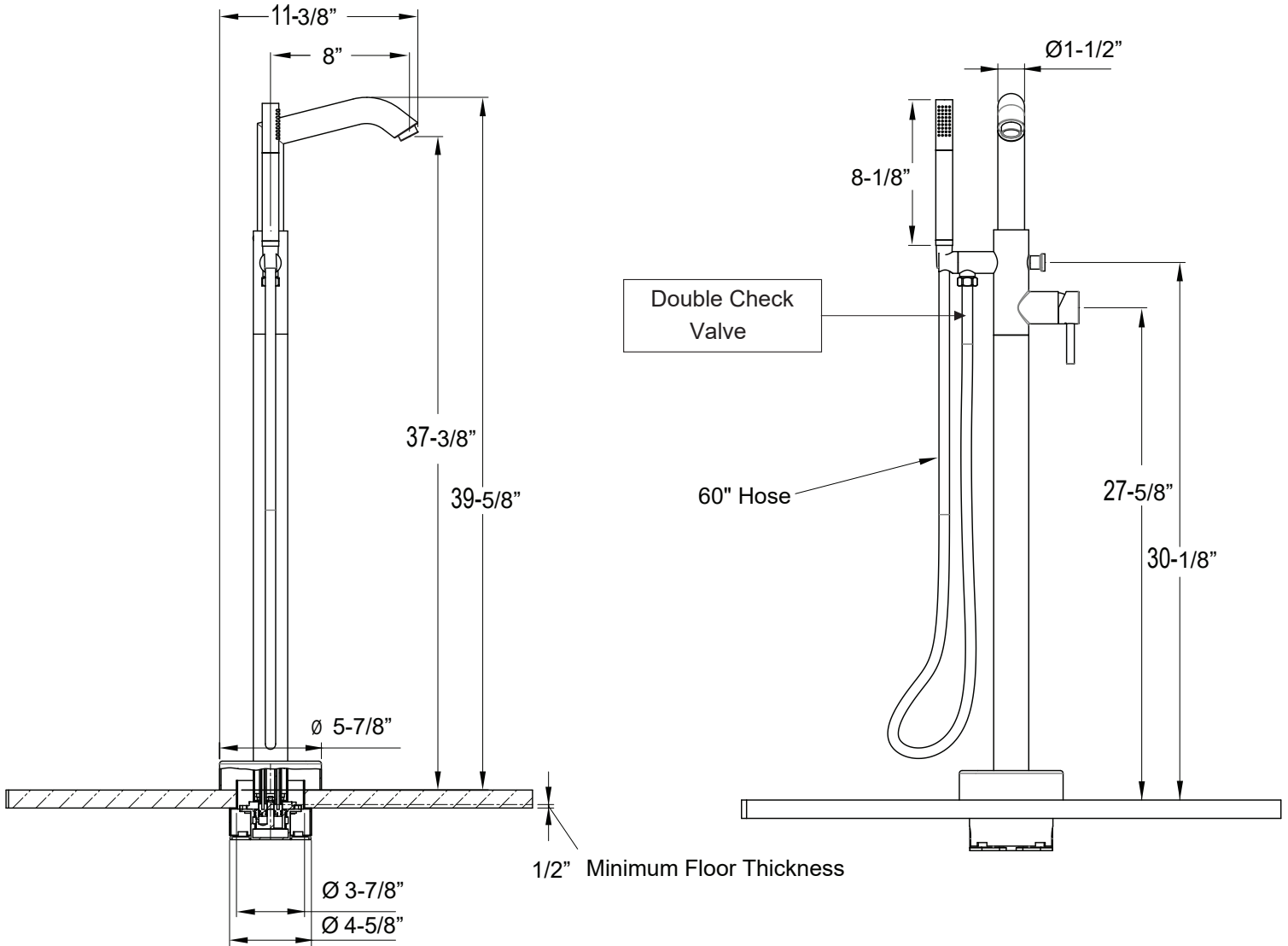
- All brass construction
- Available in all finishes
- Warranty varies according to finish selection
- Rough kit P/N: 18.30.409
- Flow rate: 6.5 gpm at 60 psi
- Replacement cartridge P/N: 18.15.101

# SPECIFICATIONS

## 1700 Contemporary Single-Leg Floormount Tub Filler with Handshower

**1.1700530**

(1.1700530T - Trim Only)



Note: Measurements are subject to change or cancellation. No responsibility is assumed for use of superseded or voided pages.