

FEATURES:

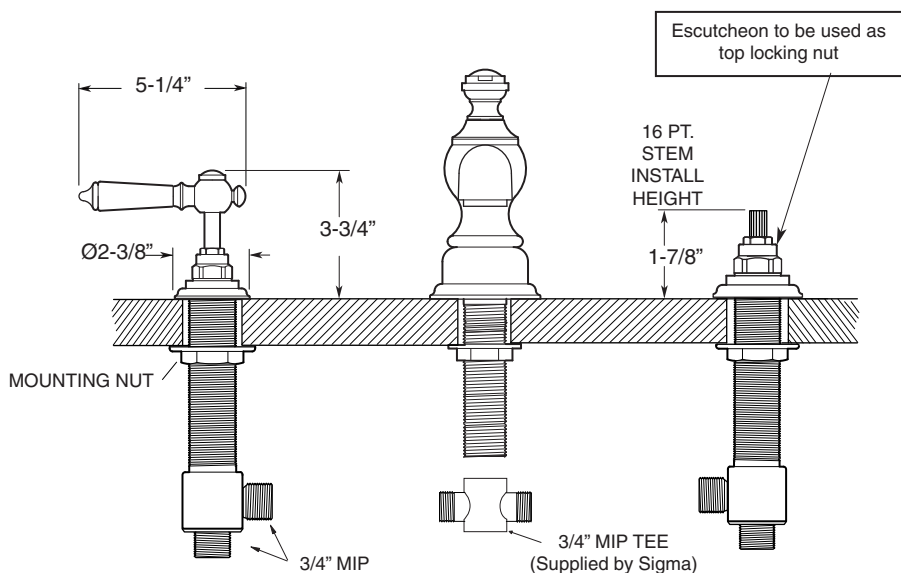
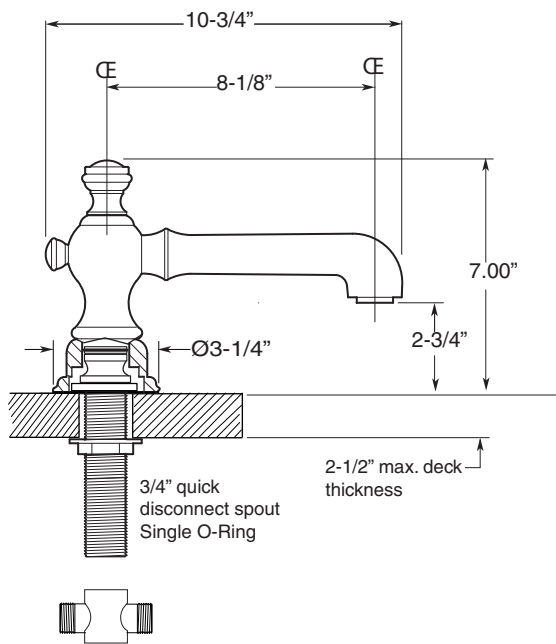
- All brass construction.
- 3/4" valve bodies with 16 PT. 1/4-turn ceramic disc cartridge.
 - 18.30.017 Cold, 18.30.018 Hot
- Available in all finishes. Warranty varies according to finish.

1800 Series 3-Hole Roman Tub Set with Ascot Handle

1.187777

1.187777T - Trim Only

18.30.006 - Rough Kit



NOTE: Spout and valves install through 1-1/4" diameter holes.
Plumber to provide 3/4" supply lines to valves