

FEATURES:

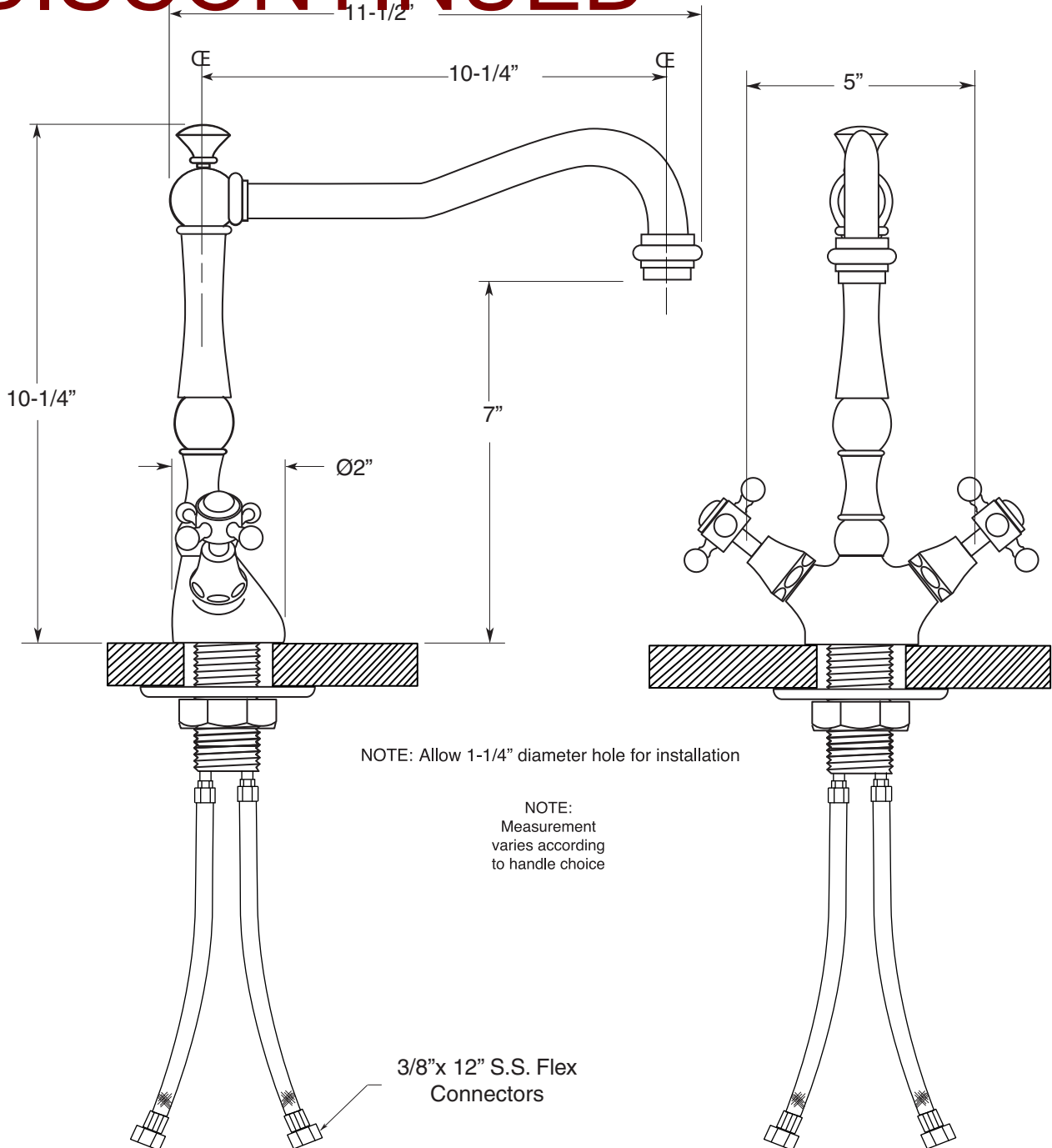
- All brass construction
- Available in all Sigma finishes
- 12" Stainless steel flex lines are supplied
- Maximum deck thickness: 1-3/4"
- Replacement cartridge: 18.30.029 - cold, 18.30.030 - hot

Single Hole Y-Body with
Extended Swivel Spout

1.065510

St. Michel Handle

DISCONTINUED



Note: Measurements are subject to change or cancellation. No responsibility is assumed for use of superseded or voided pages.