

FEATURES:

- Cast brass construction.
- Thermostatic valve cartridge with cover plate: 18.30.147
- Thermostatic reverse cartridge with cover plate: 18.30.161
- 14.28 GPM @ 56 PSI top exit & 11.10 GPM bottom exit
- Meets: ASME A112.18.1/CSA B125.1-2012

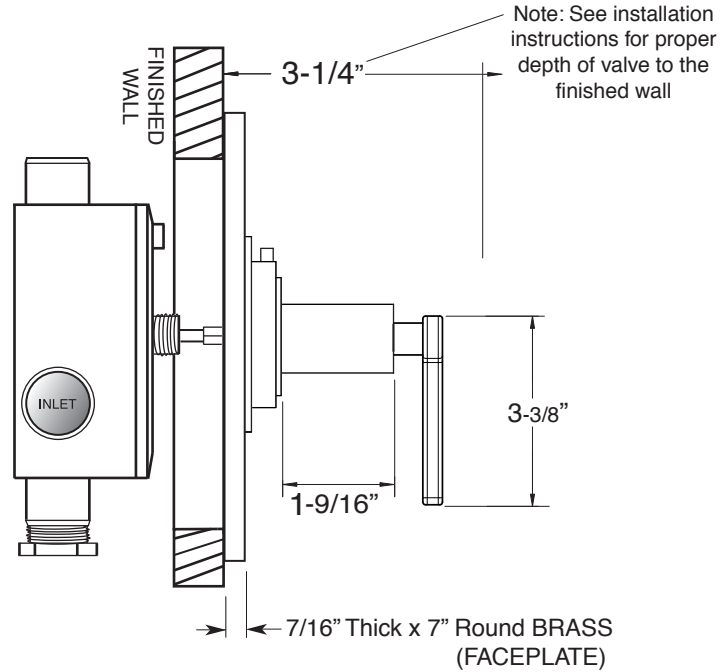
NOTE: Separate shut offs required to operate system.

3/4" Thermostatic

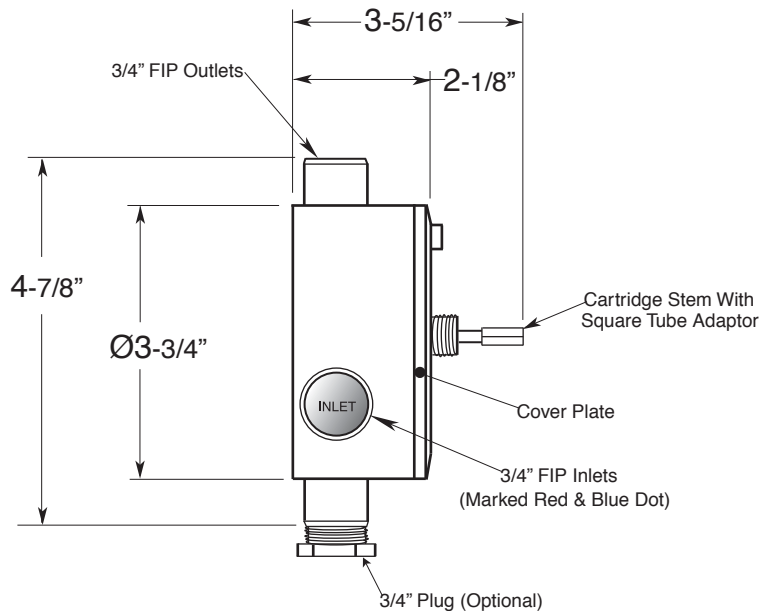
Valve & Trim Carina Handle

1.072897
(1.072897T Trim Only)

SIDE VIEW - INSTALLED



SIDE VIEW - VALVE ONLY



Note: Measurements are subject to change or cancellation. No responsibility is assumed for use of superseded or voided pages.