

1/2" Thermostatic Shower  
Set with One Volume Control  
with Ceres II Handle

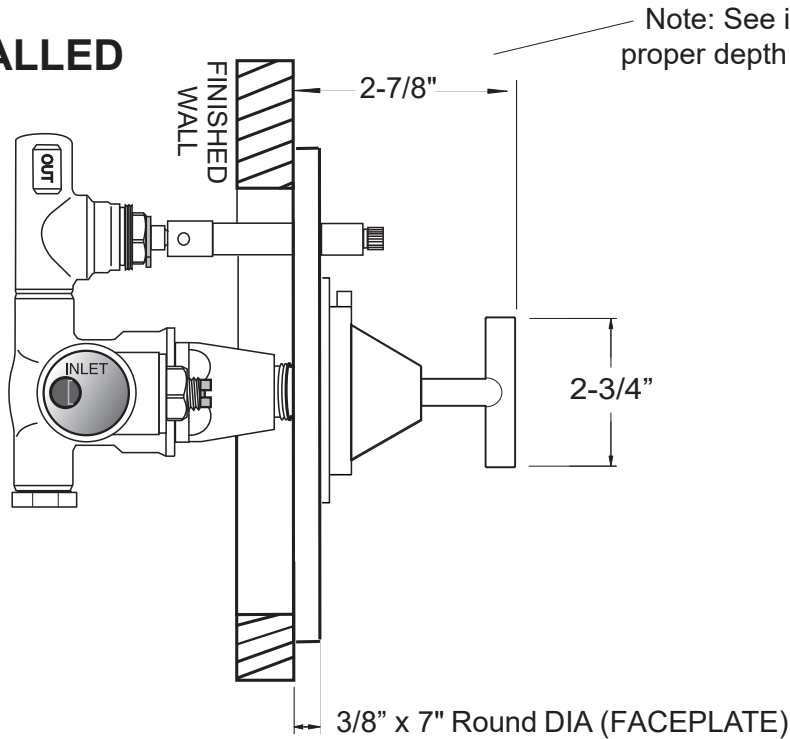
1.075096.V1

(1.075096.V1T Trim Only)

FEATURES:

- Forged brass construction.
- Thermostatic valve cartridge: 18.30.082
- Shut-off cartridge: (1) 18.30.036
- Screw driver spring check valve: (2) 18.30.181
- 14.5 GPM @ 45PSI (9.5 top exit)

**SIDE VIEW - INSTALLED**



**SIDE VIEW - VALVE ONLY**



Note: Measurements are subject to change or cancellation. No responsibility is assumed for use of superseded or voided pages.