

Features:

- Forged Brass Construction
- Adjustable Hot Limit Safety Stop with Push-In Override
- Thermostatic valve cartridge: 18.30.294
- Screwdriver stop assembly: 18.30.895
- Flow capacity: 7.0 gpm @ 45 PSI
- Certified to meet or exceed the following codes and standards:
ASME A112.18.1/CSAB 125.1-2012

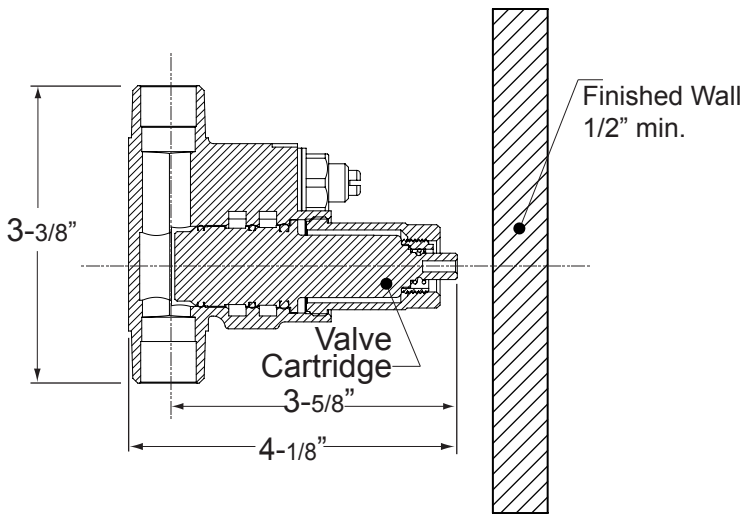
Lexington Handle

E-Mini Therm Valve Remote Thermostatic Valve

Requires separate volume control or positive diverter.

1.0R0350T 3-3/4" Round Trim Plate

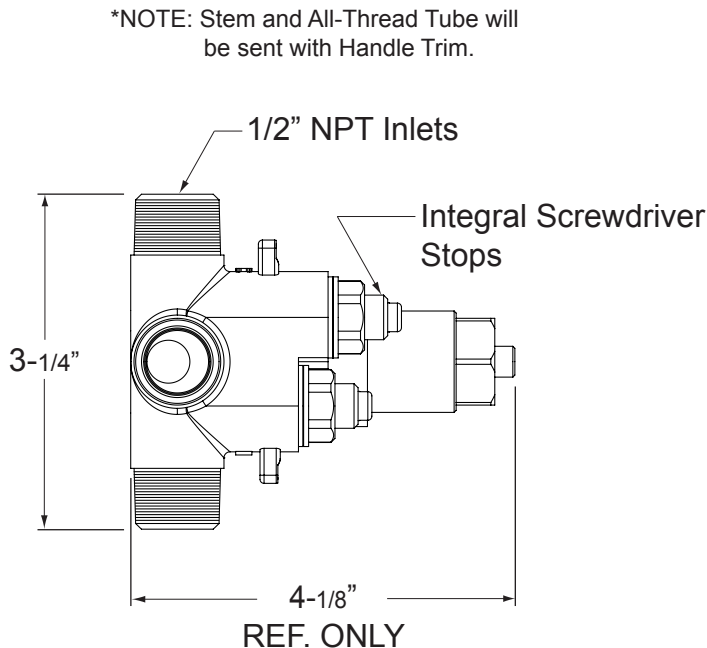
Rough-In Leftside Cutaway View



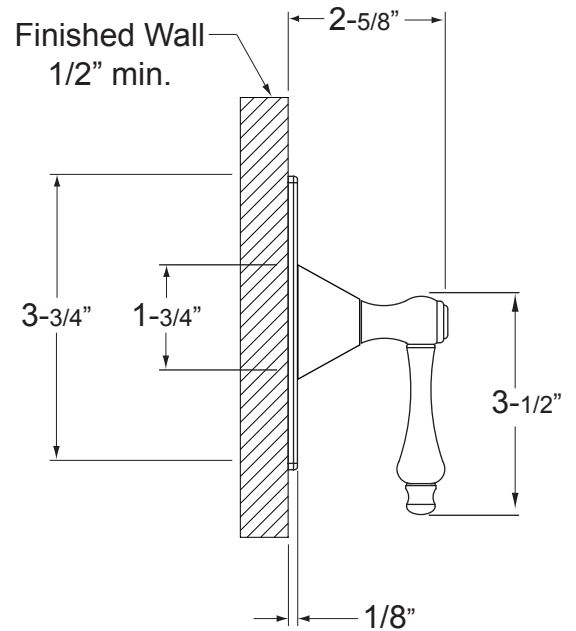
*NOTE: Stem and All-Thread Tube will be sent with Handle Trim.

NOTE: MUST purchase Showerhead, Arm, Flange, and other options separately.

Rough-In Top View



*NOTE: Stem and All-Thread Tube will be sent with Handle Trim.



Faceplate Leftside View

NOTE: Measurements are subject to change or cancellation. No responsibility is assumed for use of superseded or voided pages.