

**Features:**

- Forged Brass Construction
- Adjustable Hot Limit Safety Stop with Push-In Override
- Thermostatic valve cartridge: 18.30.294
- Screwdriver stop assembly: 18.30.895
- Flow capacity: 7.0 gpm @ 45 PSI
- Certified to meet or exceed the following codes and standards:  
ASME A112.18.1/CSAB 125.1-2012

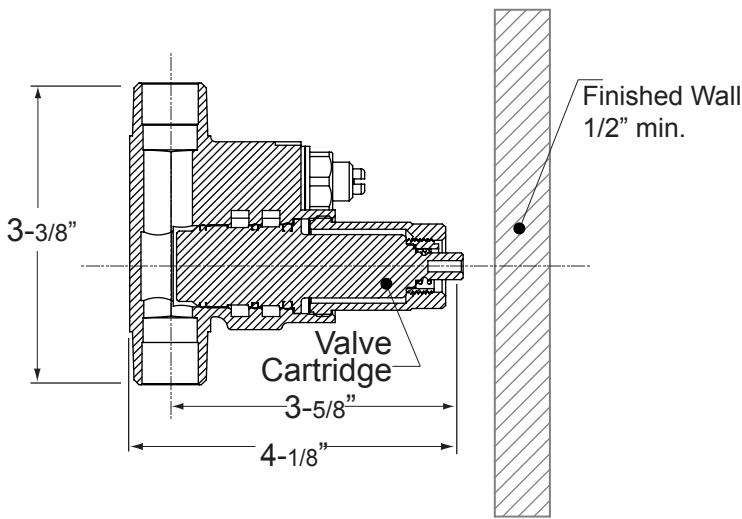
## Regent Handle

### E-Mini Therm Valve Remote Thermostatic Valve

**Requires separate volume control or positive diverter.**

1.0R5350T 3-3/4" Round Trim Plate

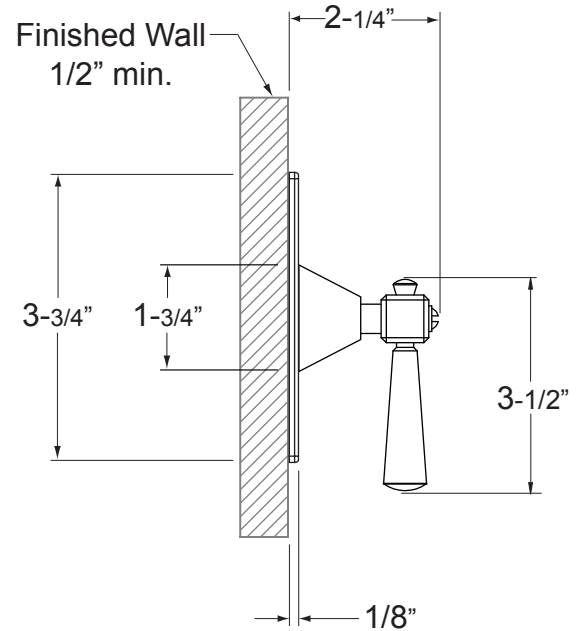
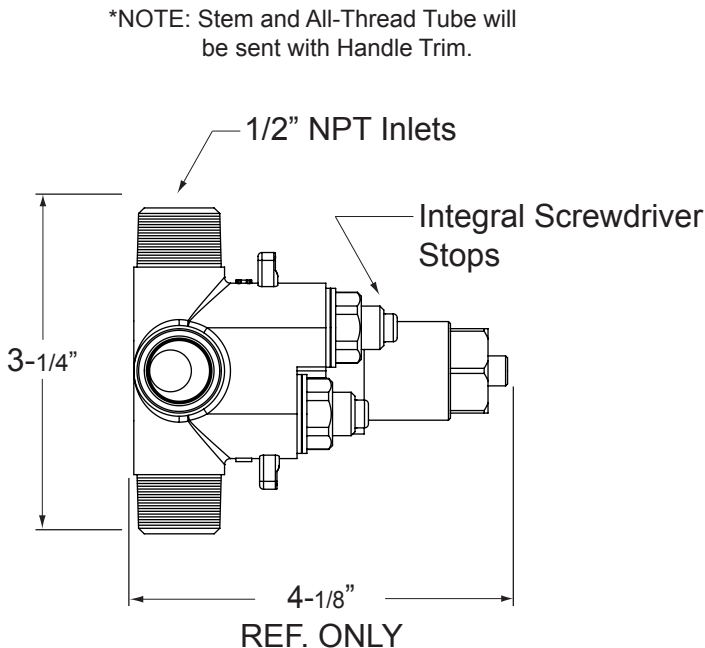
**Rough-In Leftside Cutaway View**



\*NOTE: Stem and All-Thread Tube will be sent with Handle Trim.

NOTE: MUST purchase Showerhead, Arm, Flange, and other options separately.

**Rough-In Top View**



**Faceplate Leftside View**

NOTE: Measurements are subject to change or cancellation. No responsibility is assumed for use of superseded or voided pages.