

**Series 400**

*Pressure Balance Shower Set*

**FEATURES:**

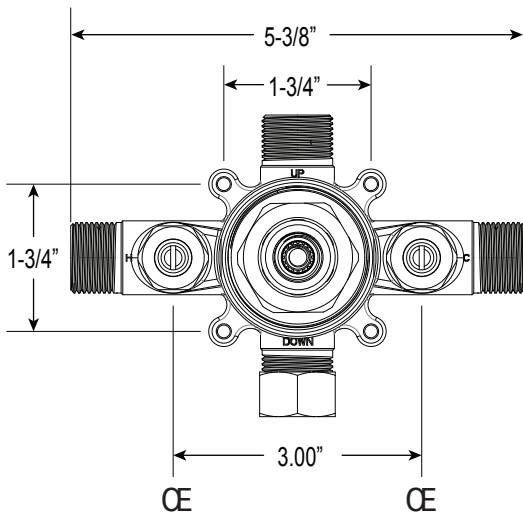
- Forged brass construction
- Valve cartridge 18.30.893
- Adjustable hot limit safety stop
- Reversible cartridge
- 5.6 GPM @ 45 PSI
- Includes 1.8 GPM Showerhead (18.10.051), arm & flange

1.000464

(1.000464T - Trim Only)

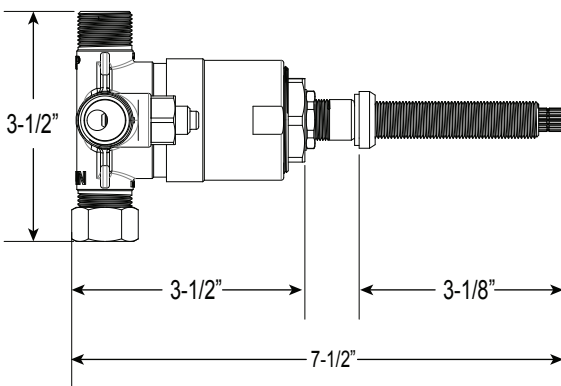
**Charlotte Handle**

**16 pt.**

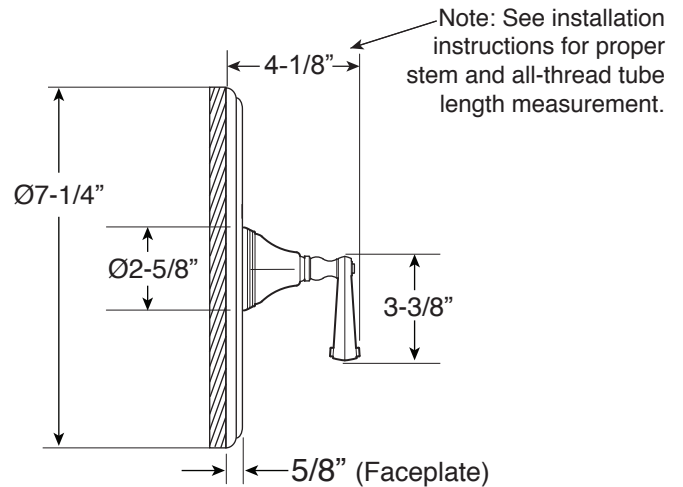
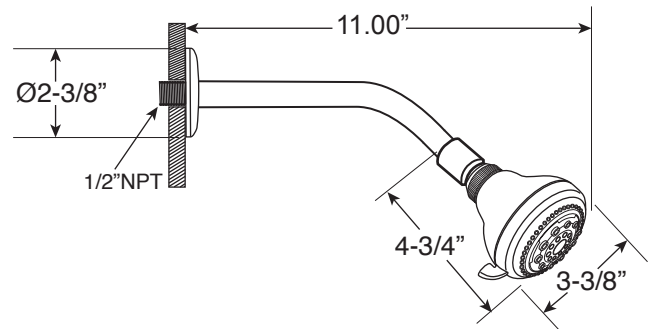


**FRONT VIEW**

**SIDE VIEW**



*\*Note: Stem and all-thread tube will be sent with handle trim.*



\* Current valve in use:  
Circa 4/2014 - present  
Contact Customer Service  
for Older Versions

\*\* For additional information on  
cartridges or extension kits,  
see 'Rough Valving' section  
in current catalog.

Note: Measurements are subject to change. No responsibility is assumed for use of superseded or voided pages.