

**FEATURES:**

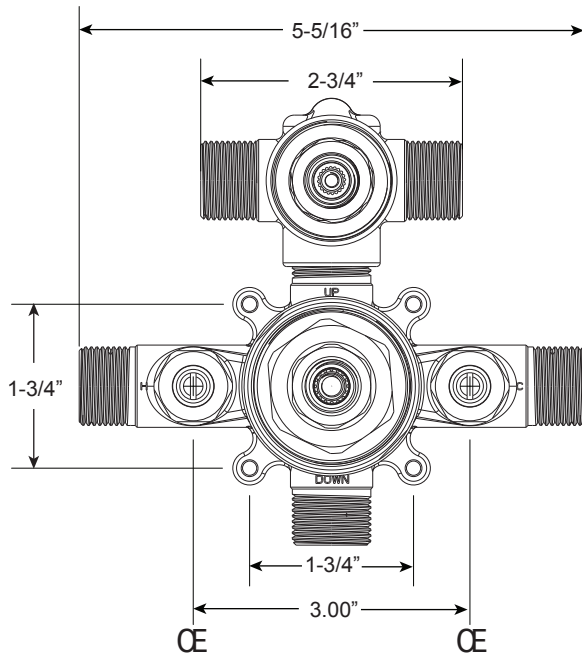
- Forged brass construction
- Valve cartridge 18.30.893
- Diverter cartridge: 18.30.898
- Adjustable hot limit safety stop
- Reversible cartridge
- 4.5 GPM @ 45 PSI

**Series 800/830**  
*Pressure Balance Shower by Shower Set*

1.007967  
 (1.007967T - Trim Only)

**Siena Handle**

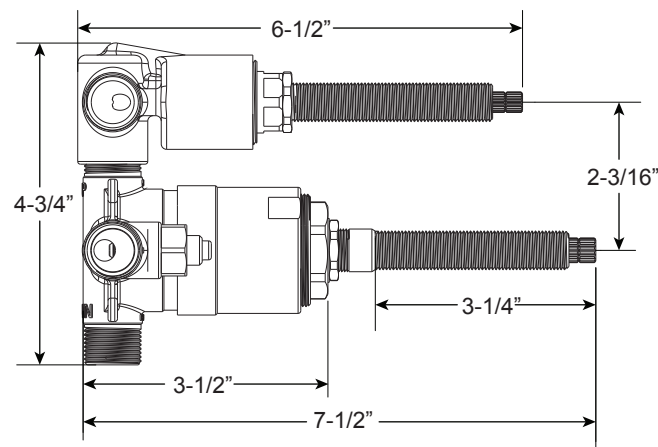
**16 pt.**



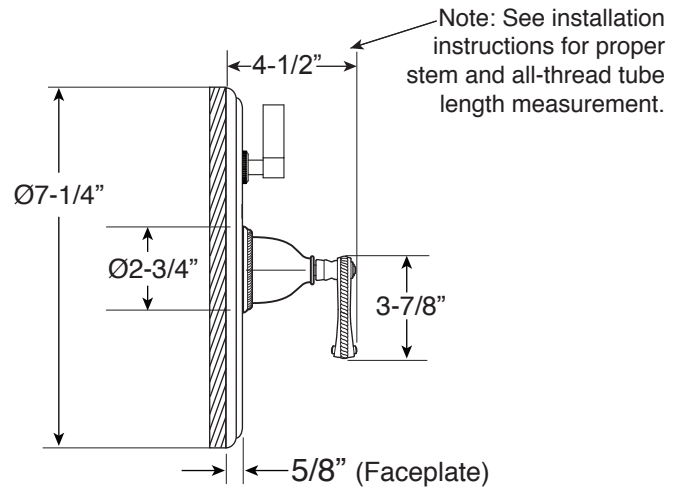
**FRONT VIEW**

**SIDE VIEW**

*\*Note: Stem and all-thread tube will be sent with handle trim.*



**Please Note:**  
*Must purchase the two desired shower components separately. See current catalog for shower component options.*



<p>* Current valve in use:                  Circa 4/2014 - present                  Contact Customer Service for Older Versions</p>	<p>** For additional information on cartridges or extension kits, see 'Rough Valving' section in current catalog.</p>
---	---

Note: Measurements are subject to change. No responsibility is assumed for use of superseded or voided pages.