

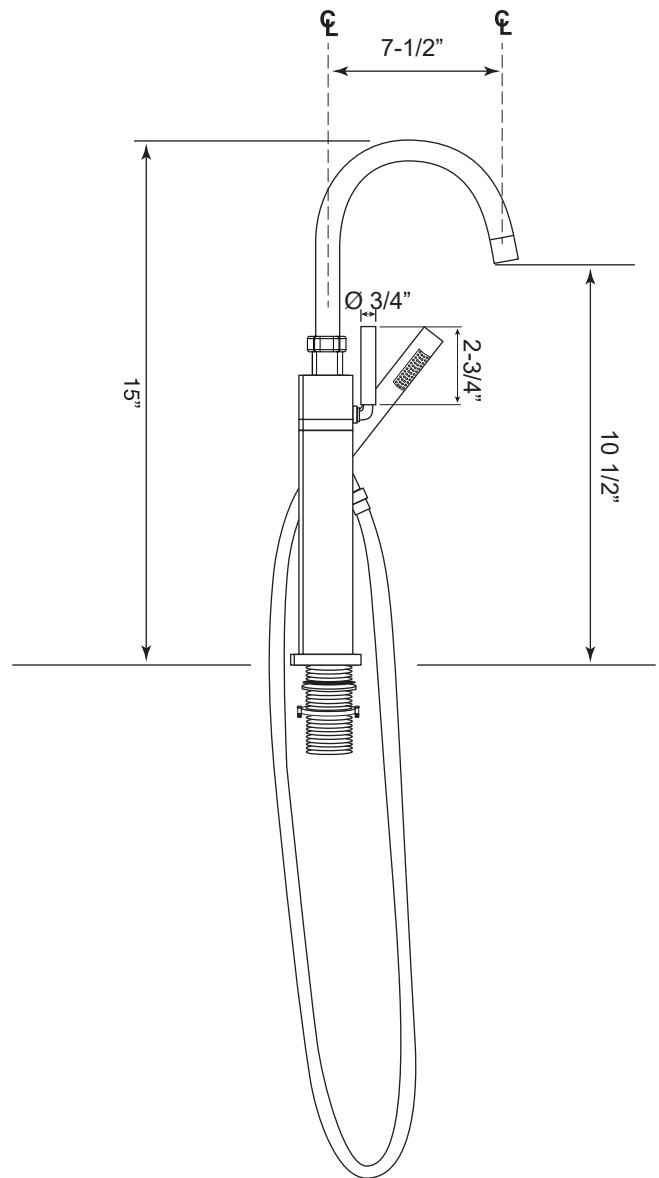
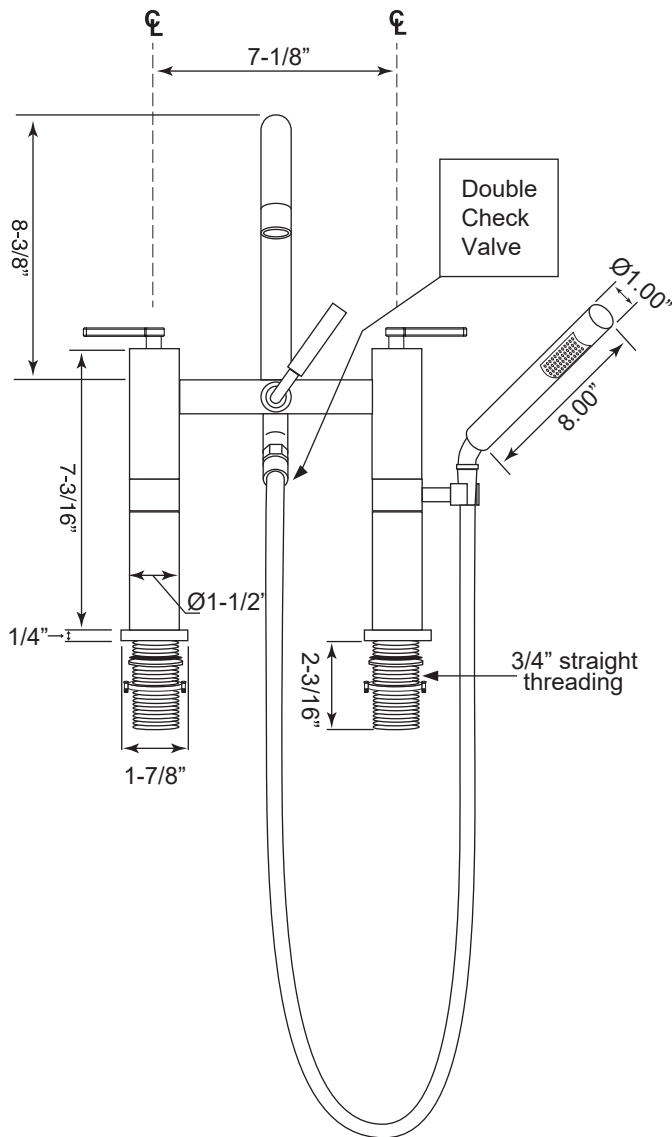
FEATURES:

- All brass construction.
- Available in all Sigma finishes
- Replacement cartridges
18.30.010 - COLD / 18.30.011 - HOT
- Flow rate 7.5 gpm / 45 psi

SPECIFICATIONS

Contemporary Deckmount Tub Filler with Handshower and Stella Handles

1.0007510



Note: Measurements are subject to change or cancellation. No responsibility is assumed for use of superseded or voided pages.