

FEATURES:

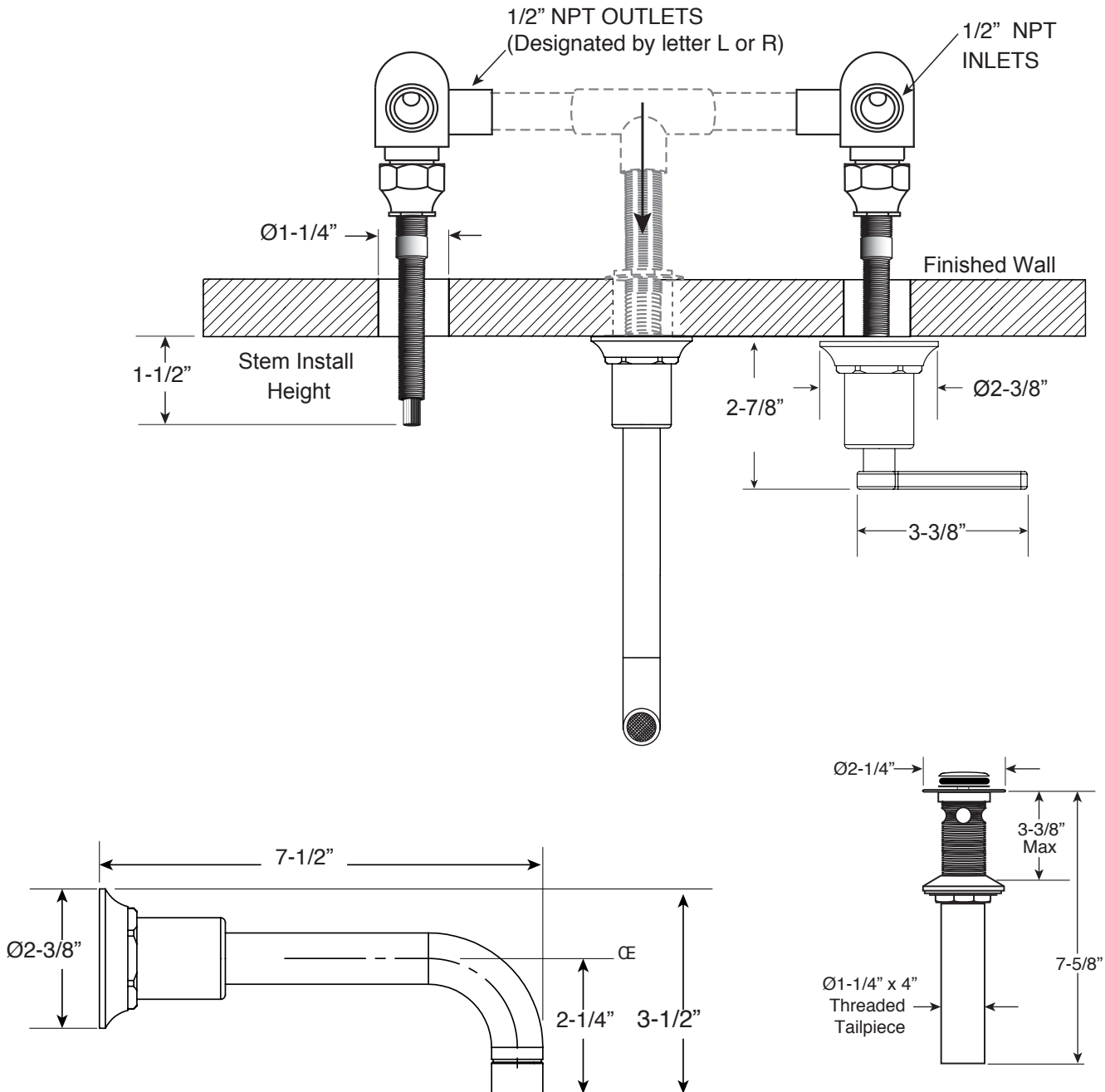
- All brass construction
- Independent corner valves
- Includes soft touch drain w/overflow: P/N 18.11.052
- 1/4-turn ceramic disc valve cartridge.
 - Replacements 18.30.035 Cold + 18.30.036 Hot
- Available in all finishes. Warranty varies according to finish selection.

SPECIFICATIONS

310 Series Short Wall/ Vessel Lavatory Set with Tribeca Handles

1.312907S

(1.312907ST - Trim Only)



Note: Measurements are subject to change. No responsibility is assumed for use of superseded or voided pages.