

FEATURES:

- Cast brass construction
- 3/4" Thermostatic valve w/Integral Stops: 18.30.171
- Thermostatic valve cartridge with cover plate: 18.30.147
- Thermostatic reverse cartridge with cover plate: 18.30.161
- 14.28 GPM @ 56 PSI top exit & 11.0 GPM bottom exit

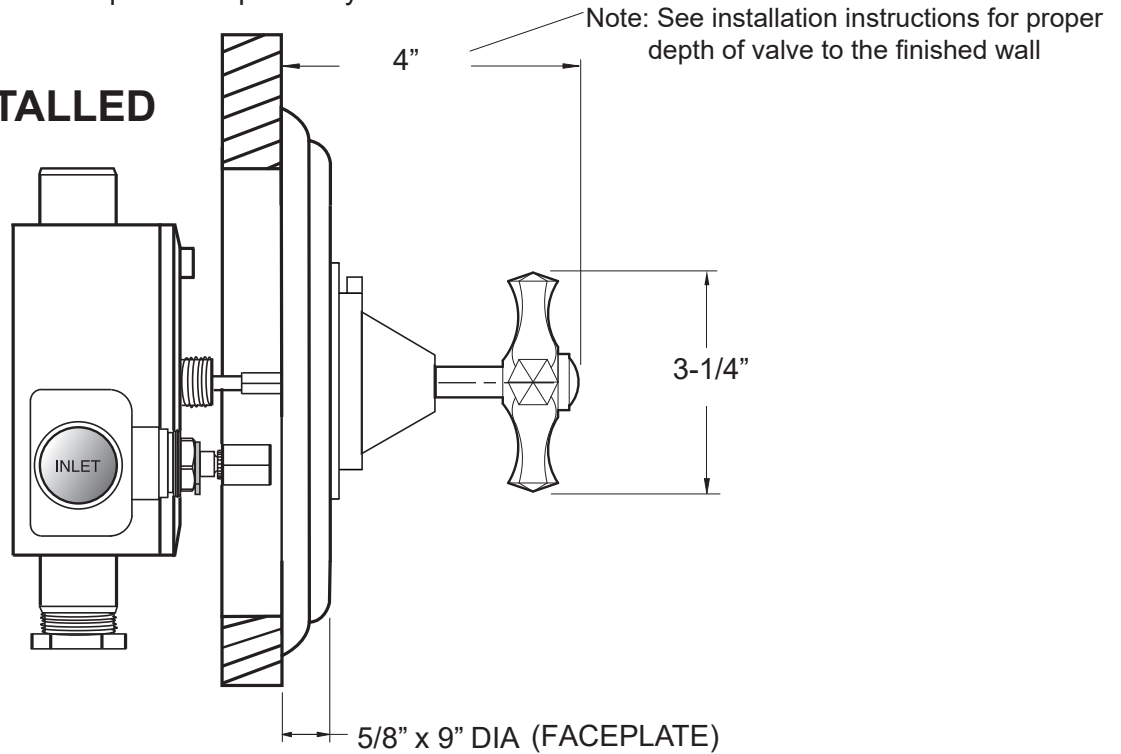
**3/4" Deluxe Thermostatic
Shower Set with
Mallorca Handle**

1.007597D

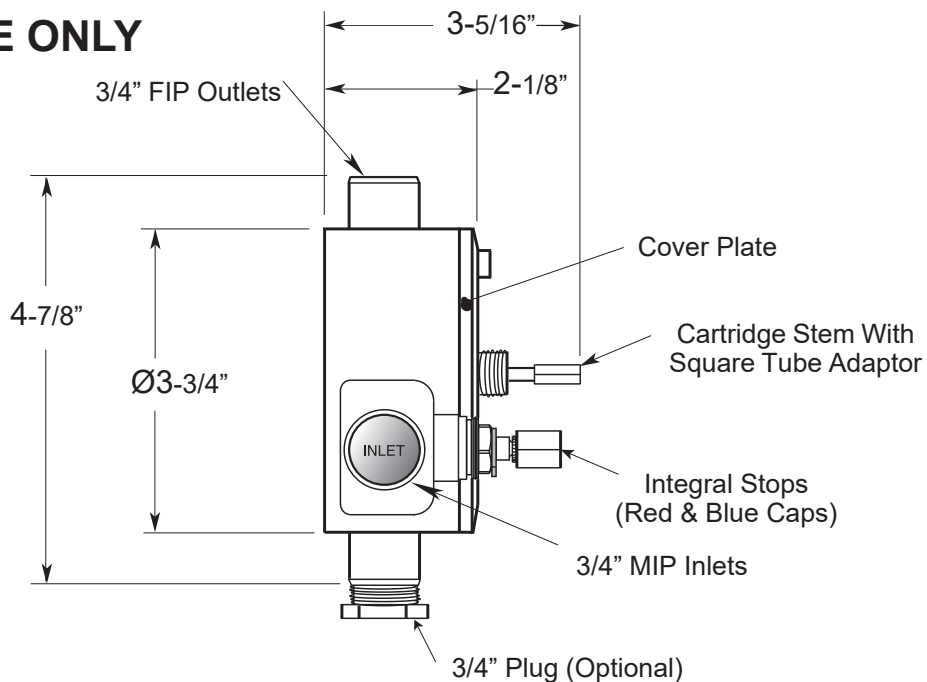
(1.007597DT Trim Only)

NOTE: Separate 3/4" shut offs required to operate system.

SIDE VIEW - INSTALLED



SIDE VIEW - VALVE ONLY



Note: Measurements are subject to change or cancellation. No responsibility is assumed for use of superseded or voided pages.