

FEATURES:

- Cast brass construction.
- Thermostatic valve cartridge with cover plate: 18.30.147
- Thermostatic reverse cartridge with cover plate: 18.30.161
- 14.28 GPM @ 56 PSI top exit & 11.10 GPM bottom exit

SPECIFICATIONS
3/4" Thermostatic - No Stops
Hexagonal Plate Valve & Trim

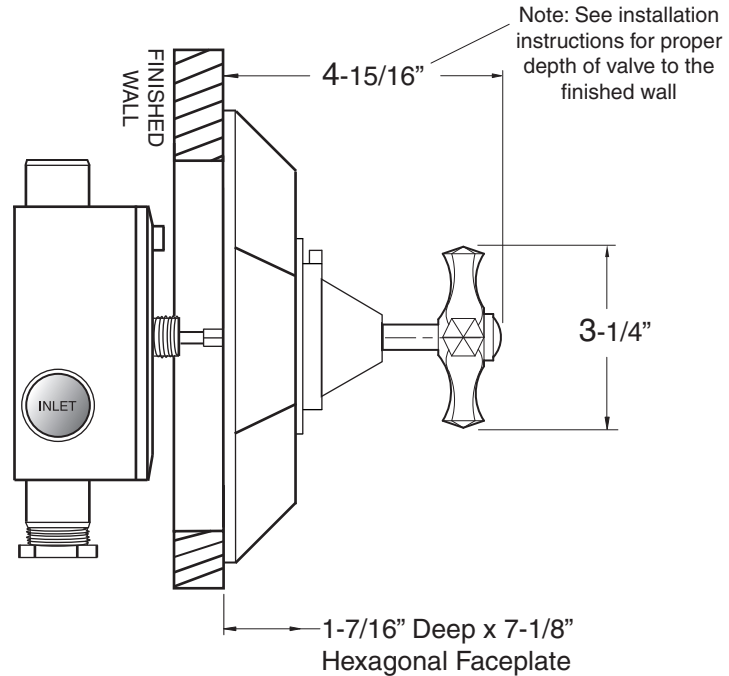
1.017597

Mallorica Handle

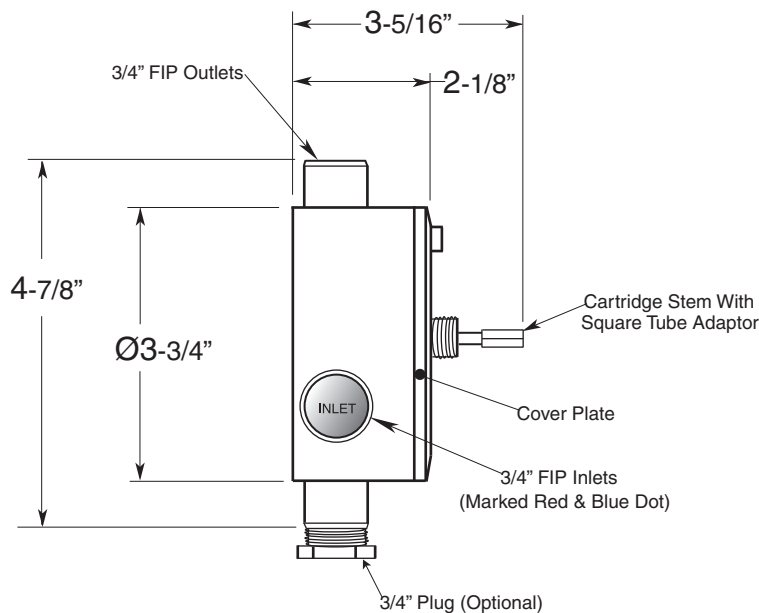
(1.017597T Trim Only)

Note: Separate shut-offs required to operate system.

SIDE VIEW - INSTALLED



SIDE VIEW - VALVE ONLY



Note: Measurements are subject to change or cancellation. No responsibility is assumed for use of superseded or voided pages.