

**FEATURES:**

- Cast brass construction
- 3/4" Thermostatic valve w/Integral Stops: 18.30.171
- Thermostatic valve cartridge with cover plate: 18.30.147
- Thermostatic reverse cartridge with cover plate: 18.30.161
- 14.28 GPM @ 56 PSI top exit & 11.0 GPM bottom exit

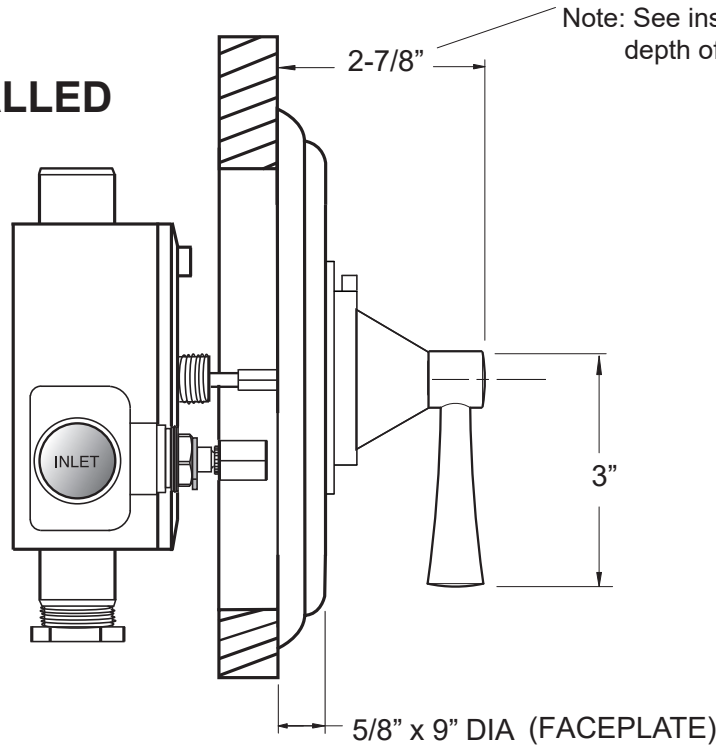
**3/4" Deluxe Thermostatic  
Shower Set with  
Chicago Handle**

**1.008597D**

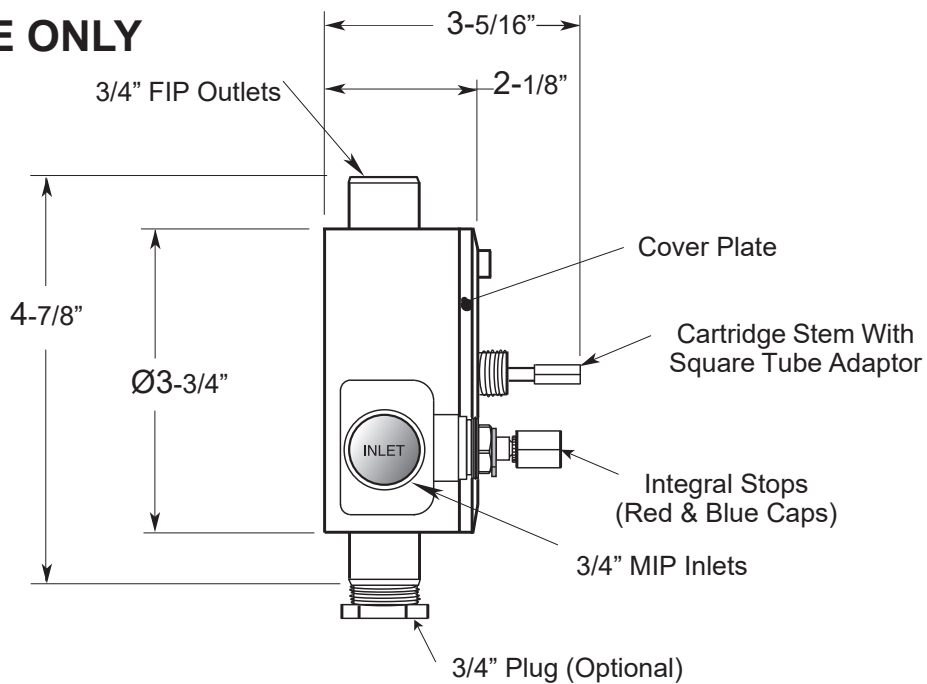
**(1.008597DT Trim Only)**

NOTE: Separate 3/4" shut offs required to operate system.

**SIDE VIEW - INSTALLED**



**SIDE VIEW - VALVE ONLY**



Note: Measurements are subject to change or cancellation. No responsibility is assumed for use of superseded or voided pages.