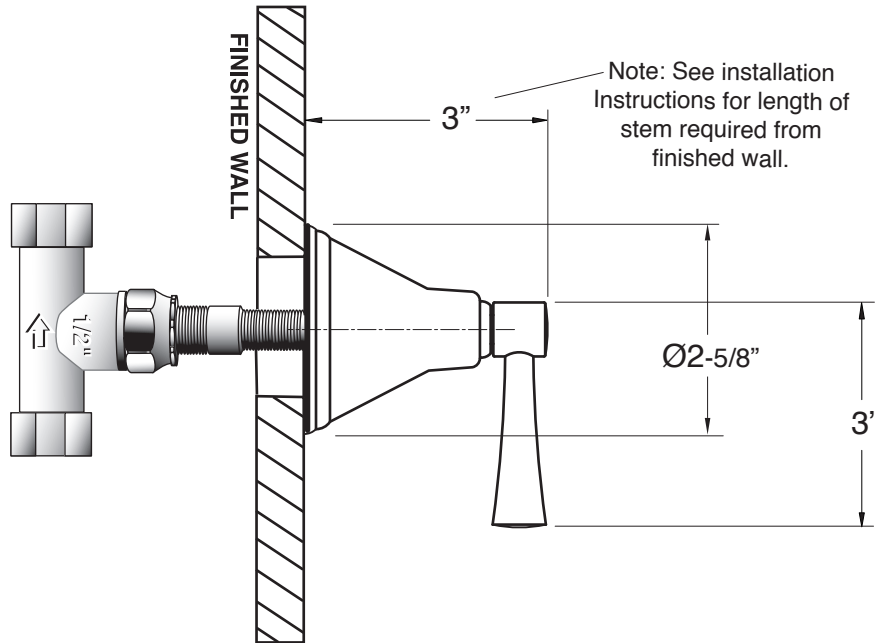


TechData

SPECIFICATIONS

Trim for Wall Valve

Trim Only
Chicago
1.008587T



Trim used with the following Valves:

18.30.020 - 1/2" Volume Control - 16 pt.....	Replacement cartridge: 18.30.036
18.30.023 - 3/4" Volume Control - 16 pt.....	Replacement cartridge: 18.30.011
18.30.255 - 3 port In-wall Diverter - 16 pt.....	Replacement cartridge: 18.30.259
18.30.253 - 4 port In-wall Diverter - 16 pt.....	Replacement cartridge: 18.30.257
78.30.020 - 1/2" Volume Control - 20 pt.....	Replacement cartridge: 18.30.036
78.30.023 - 1/2" Volume Control - 20 pt.....	Replacement cartridge: 18.30.011
78.30.255 - 3 port In-wall Diverter - 20 pt.....	Replacement cartridge: 18.30.259
78.30.253 - 4 port In-wall Diverter - 20 pt.....	Replacement cartridge: 18.30.257

Note: Measurements are subject to change or cancellation. No responsibility is assumed for use of superseded or voided pages.