

**FEATURES:**

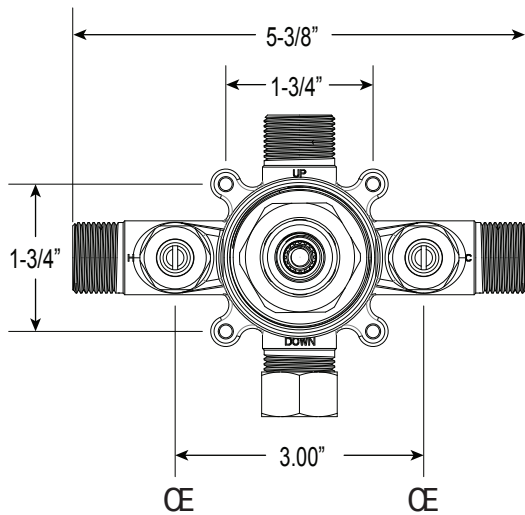
- Forged brass construction
- Valve cartridge 18.30.893
- Adjustable hot limit safety stop
- Reversible cartridge
- 5.6 GPM @ 45 PSI
- Includes 1.8 GPM Showerhead(18.10.51), arm, and flange

**Series 800/830**  
*Pressure Balance Shower Set*

1.008164  
 (1.008164T - Trim Only)

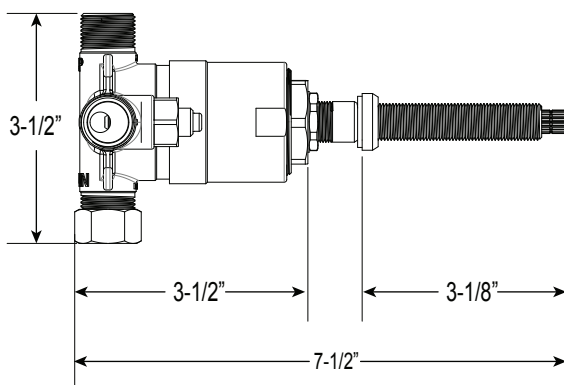
**Houston Handle**

**16 pt.**

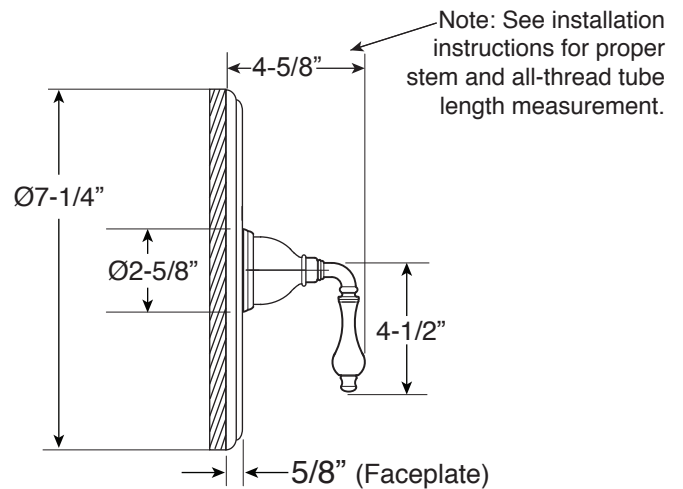
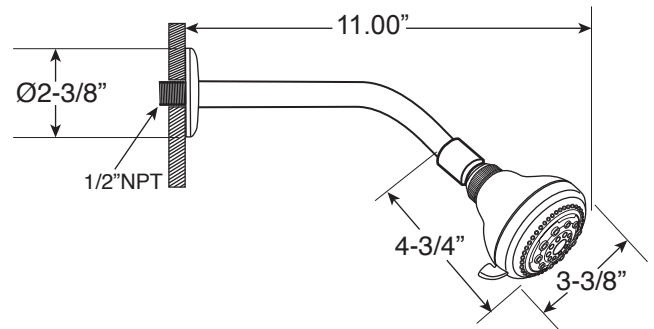


**FRONT VIEW**

**SIDE VIEW**



*\*Note: Stem and all-thread tube will be sent with handle trim.*



\* Current valve in use:  
 Circa 4/2014 - present  
 Contact Customer Service  
 for Older Versions

\*\* For additional information on  
 cartridges or extension kits,  
 see 'Rough Valving' section  
 in current catalog.

Note: Measurements are subject to change. No responsibility is assumed for use of superseded or voided pages.