

FEATURES:

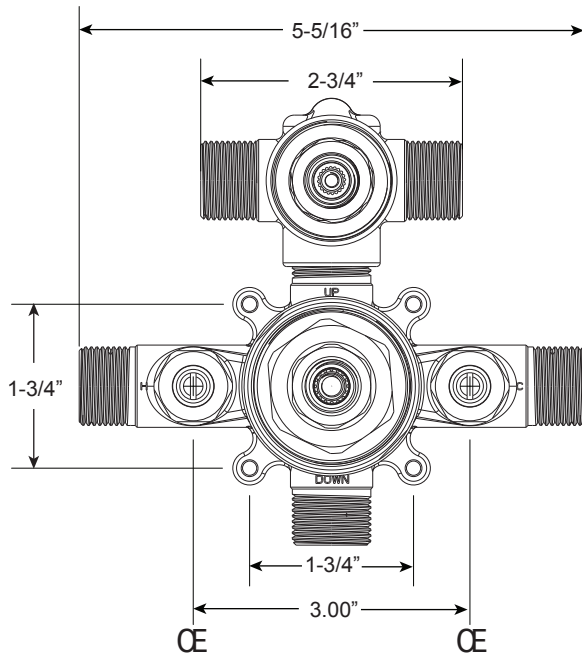
- Forged brass construction
- Valve cartridge 18.30.893
- Diverter cartridge: 18.30.898
- Adjustable hot limit safety stop
- Reversible cartridge
- 4.5 GPM @ 45 PSI

Series 800/830
Pressure Balance Shower by Shower Set

1.008167
 (1.008167T - Trim Only)

Houston Handle

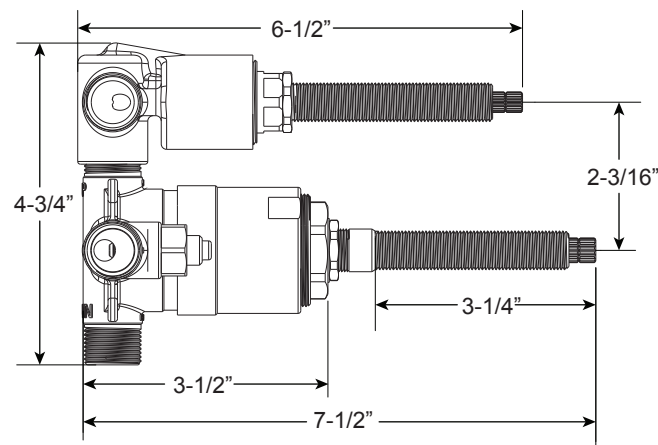
16 pt.



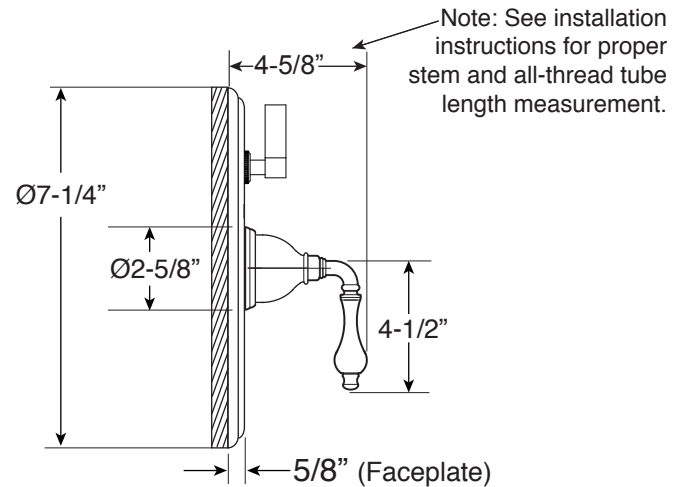
FRONT VIEW

SIDE VIEW

**Note: Stem and all-thread tube will be sent with handle trim.*



Please Note:
Must purchase the two desired shower components separately. See current catalog for shower component options.



<p>* Current valve in use: Circa 4/2014 - present Contact Customer Service for Older Versions</p>	<p>** For additional information on cartridges or extension kits, see 'Rough Valving' section in current catalog.</p>
--	--

Note: Measurements are subject to change. No responsibility is assumed for use of superseded or voided pages.