

FEATURES:

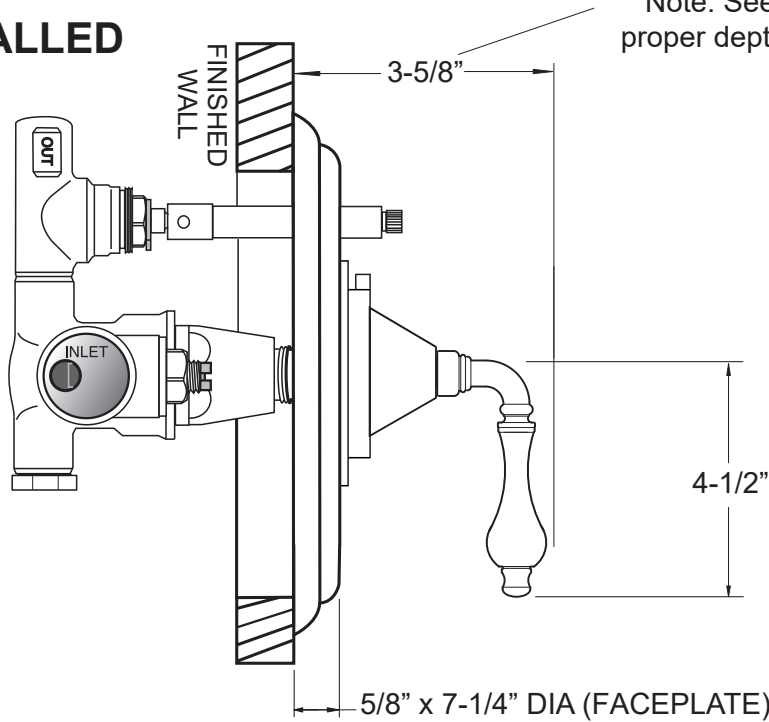
- Forged brass construction.
- Thermostatic valve cartridge: 18.30.082
- Shut-off cartridge: (1) 18.30.036
- Screw driver spring check valve: (2) 18.30.181
- 14.5 GPM @ 45PSI (9.5 top exit)

1/2" Thermostatic Shower
Set with One Volume Control
with Houston Handle

1.008196.V1

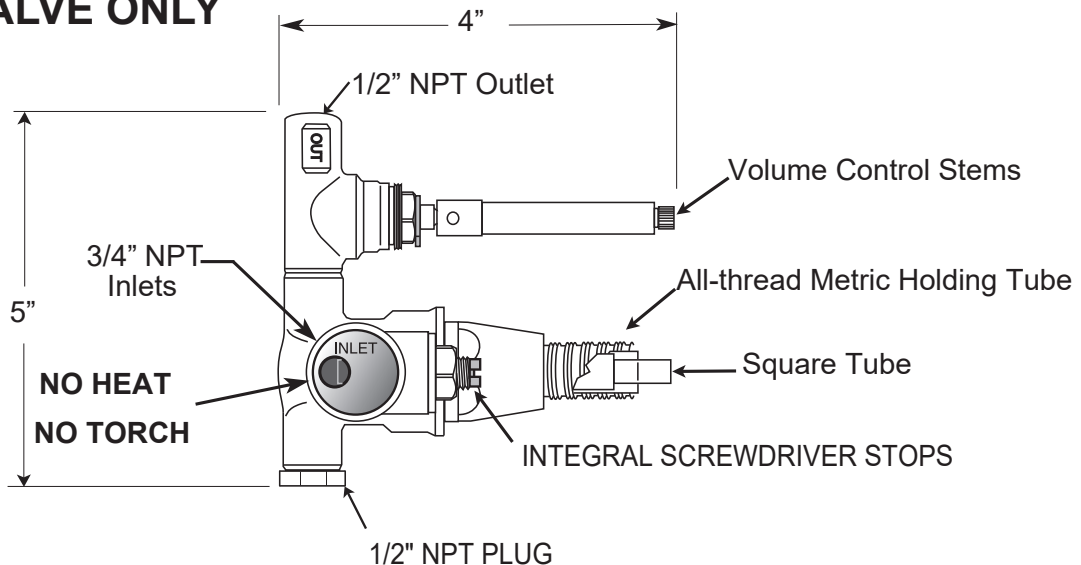
(1.008196.V1T Trim Only)

SIDE VIEW - INSTALLED



Note: See installation instructions for proper depth of valve to the finished wall

SIDE VIEW - VALVE ONLY



Note: Measurements are subject to change or cancellation. No responsibility is assumed for use of superseded or voided pages.