

**FEATURES:**

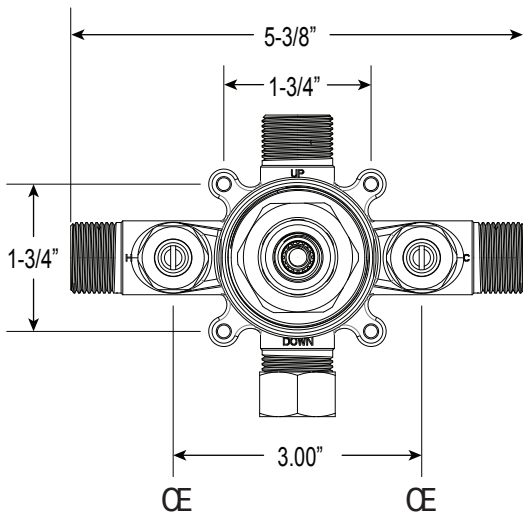
- Forged brass construction
- Valve cartridge 18.30.893
- Adjustable hot limit safety stop
- Reversible cartridge
- 5.6 GPM @ 45 PSI
- Includes 1.8 GPM Showerhead(18.10.051), arm, and flange

**Series 800/830**  
*Pressure Balance Shower Set*

1.007964  
 (1.007964T - Trim Only)

**Siena Handle**

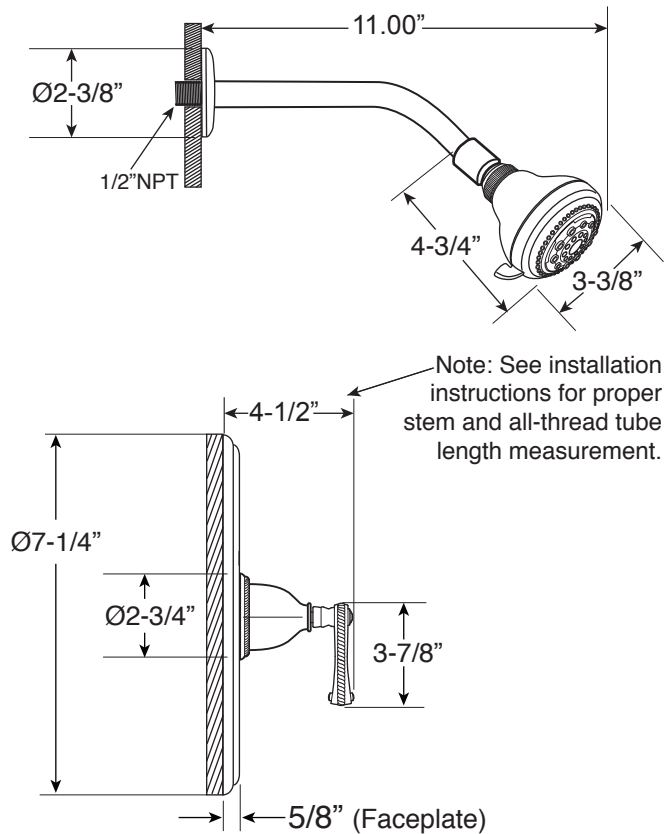
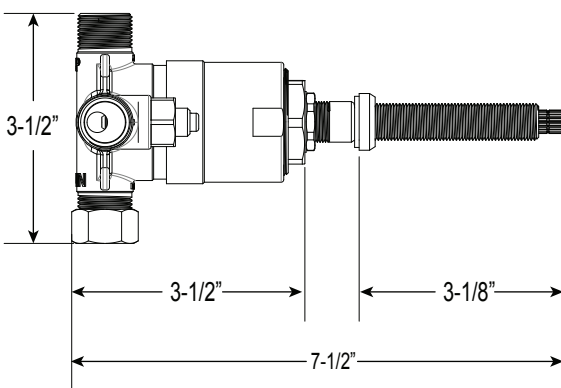
**16 pt.**



**FRONT VIEW**

*\*Note: Stem and all-thread tube will be sent with handle trim.*

**SIDE VIEW**



Note: See installation instructions for proper stem and all-thread tube length measurement.

\* Current valve in use:  
 Circa 4/2014 - present  
 Contact Customer Service  
 for Older Versions

\*\* For additional information on  
 cartridges or extension kits,  
 see 'Rough Valving' section  
 in current catalog.

Note: Measurements are subject to change. No responsibility is assumed for use of superseded or voided pages.